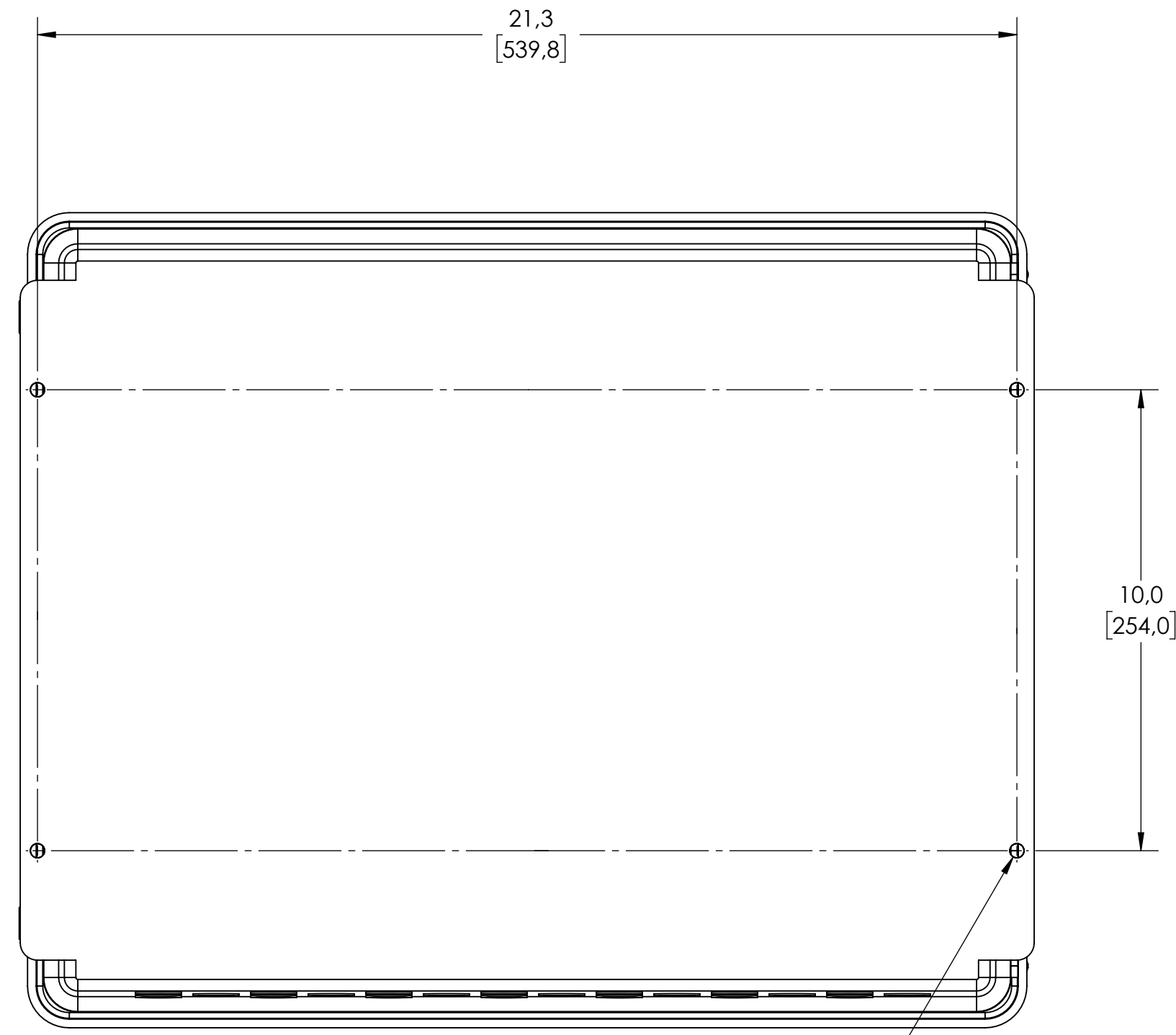
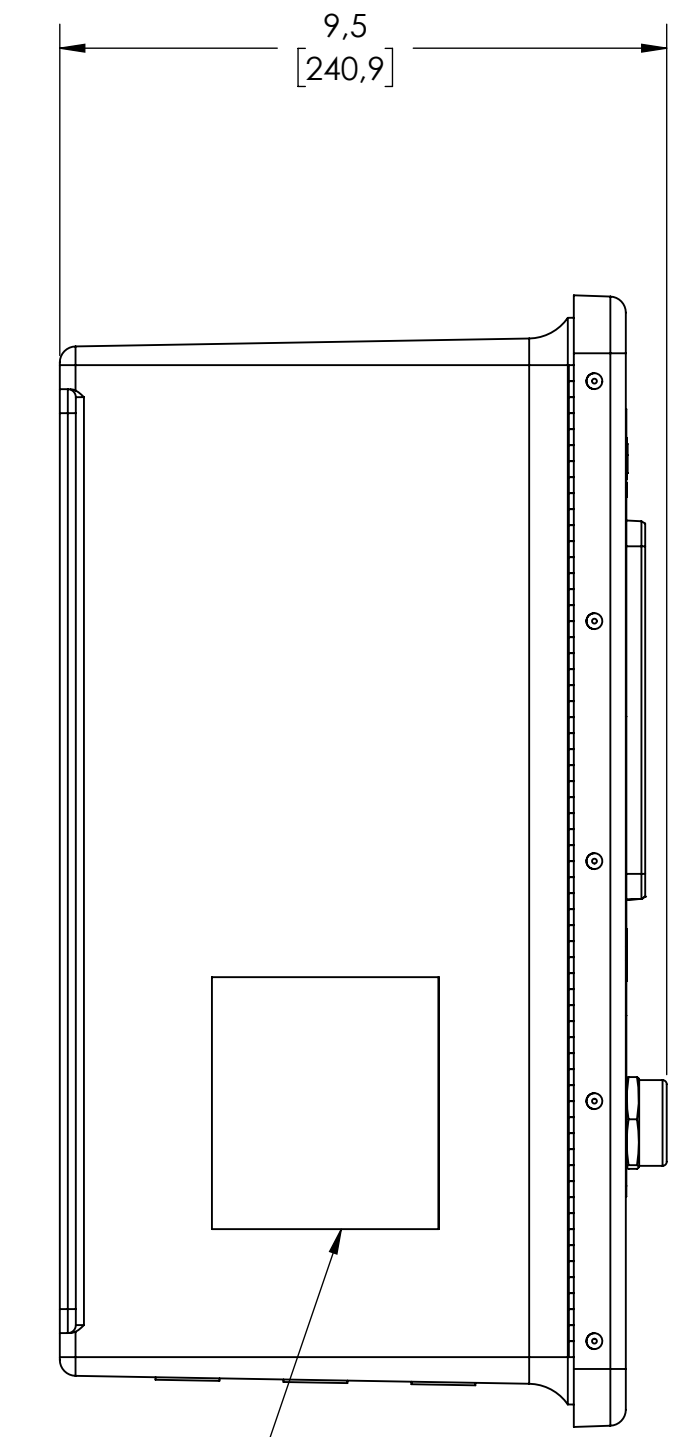


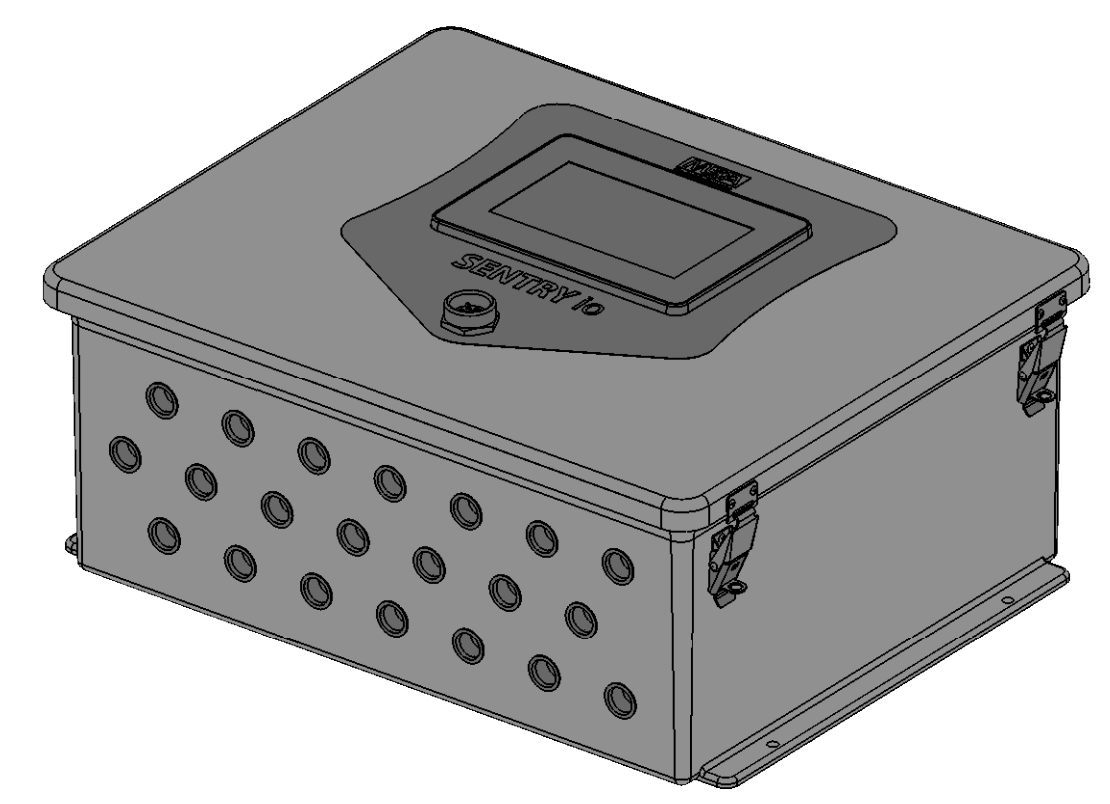
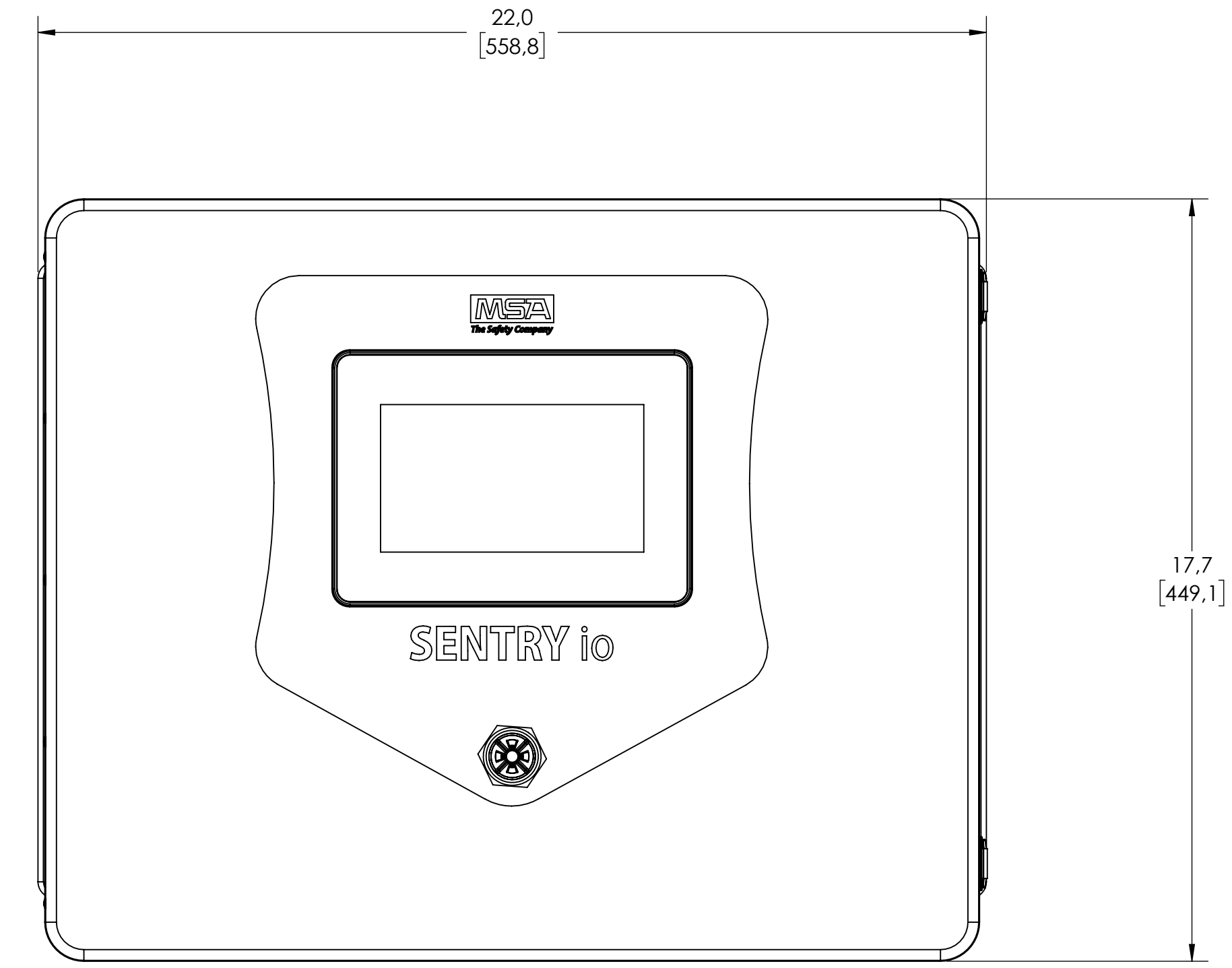
REVISIONS	
①	12/04/24
A) ADDED NOTES 5 & 6	
B) ADDED LABELS & NEW PICTORALS TO RELAYS & INPUTS ON SHEET 2/3	
C) REMOVED VERTICAL UNISTRUT FROM VIEW ON SHEET 2	
CR80000067911	TGC C.STARTA



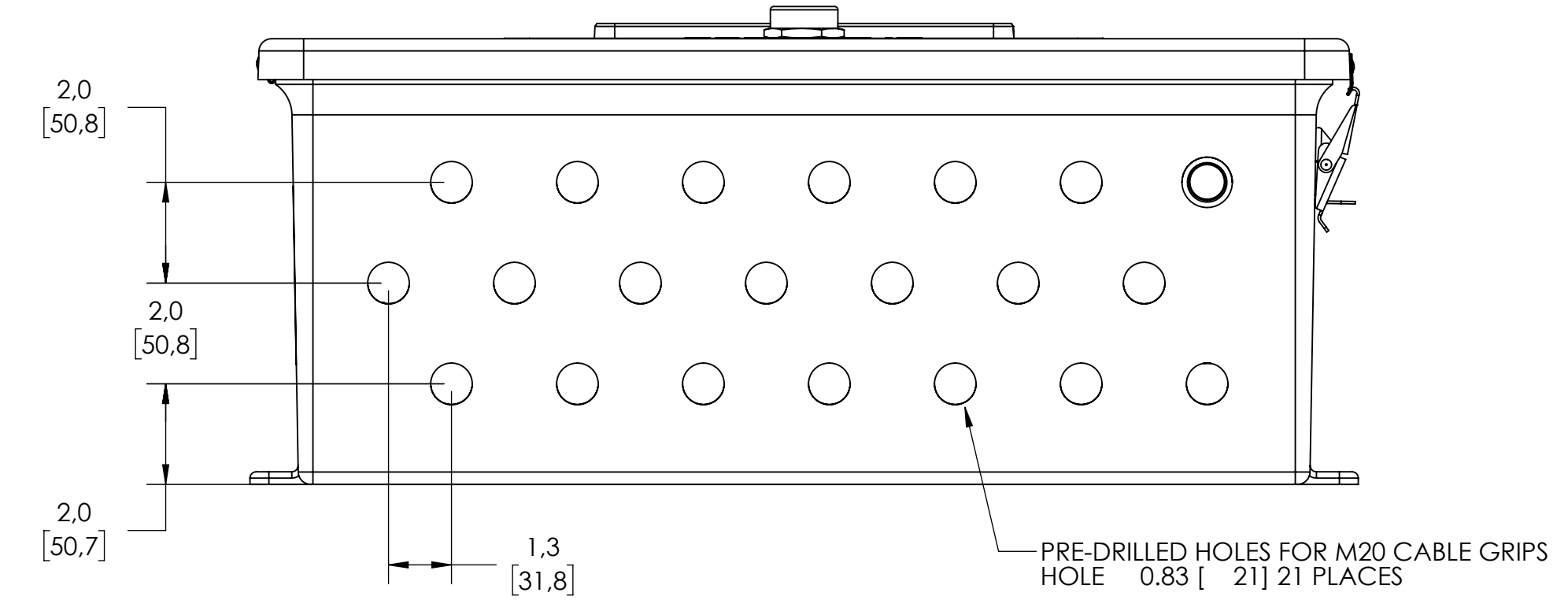
<MOD-DIAM>0.31 [7.9]
MOUNTING HOLES
4 PLACES



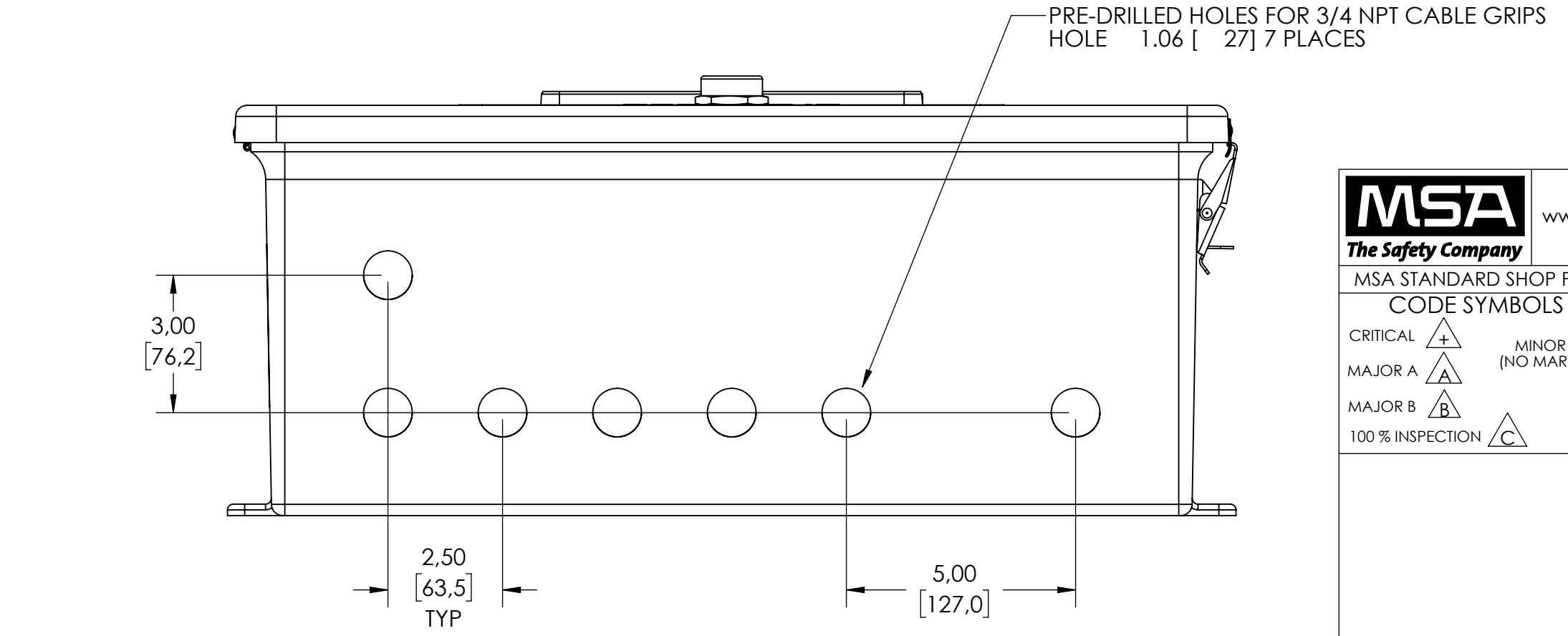
SEE NOTE 3



SENTRY io



PRE-DRILLED HOLES FOR M20 CABLE GRIPS
HOLE 0.83 [21] 21 PLACES



PRE-DRILLED HOLES FOR 3/4 NPT CABLE GRIPS
HOLE 1.06 [27] 7 PLACES

- NOTES:
- DIMENSIONS SHOWN IN INCHES [MILLIMETERS].
 - INSTRUMENT HOUSING IS MADE OF FIBERGLASS.
 - CHECK LABEL FOR AREA CLASSIFICATION.
 - INSTRUMENT WEIGHT APPROXIMATELY 45 LBS.
 - REFER TO MANUAL #10225296 FOR ADDITIONAL INFORMATION
 - FOR POWER CALCULATION DETAILS REFER TO THE MANUAL. NOTE THAT THE INTERNAL POWER SUPPLY PROVIDES 10 AMPS MAX AND THE SENTRY io CONTROLLER UTILIZES 1.4 AMPS MAX

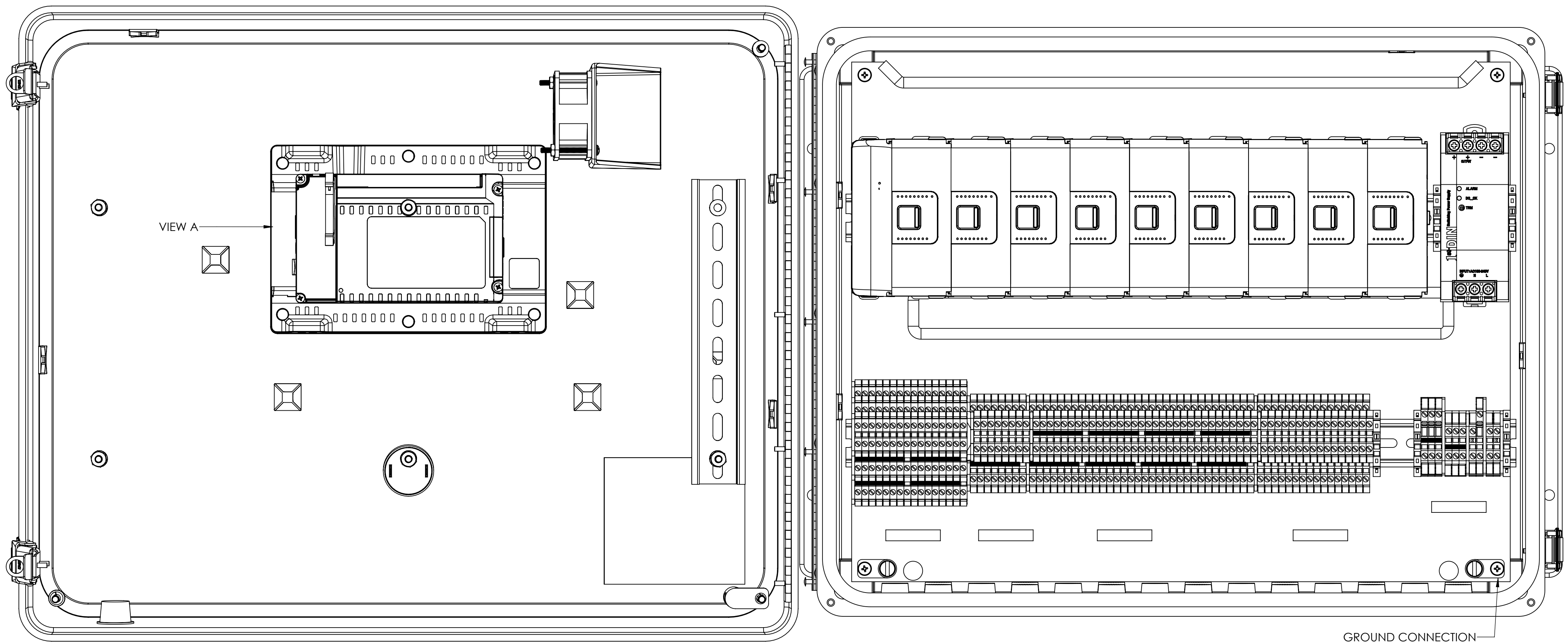
LIFECYCLE STATE	REVISION
Production	1



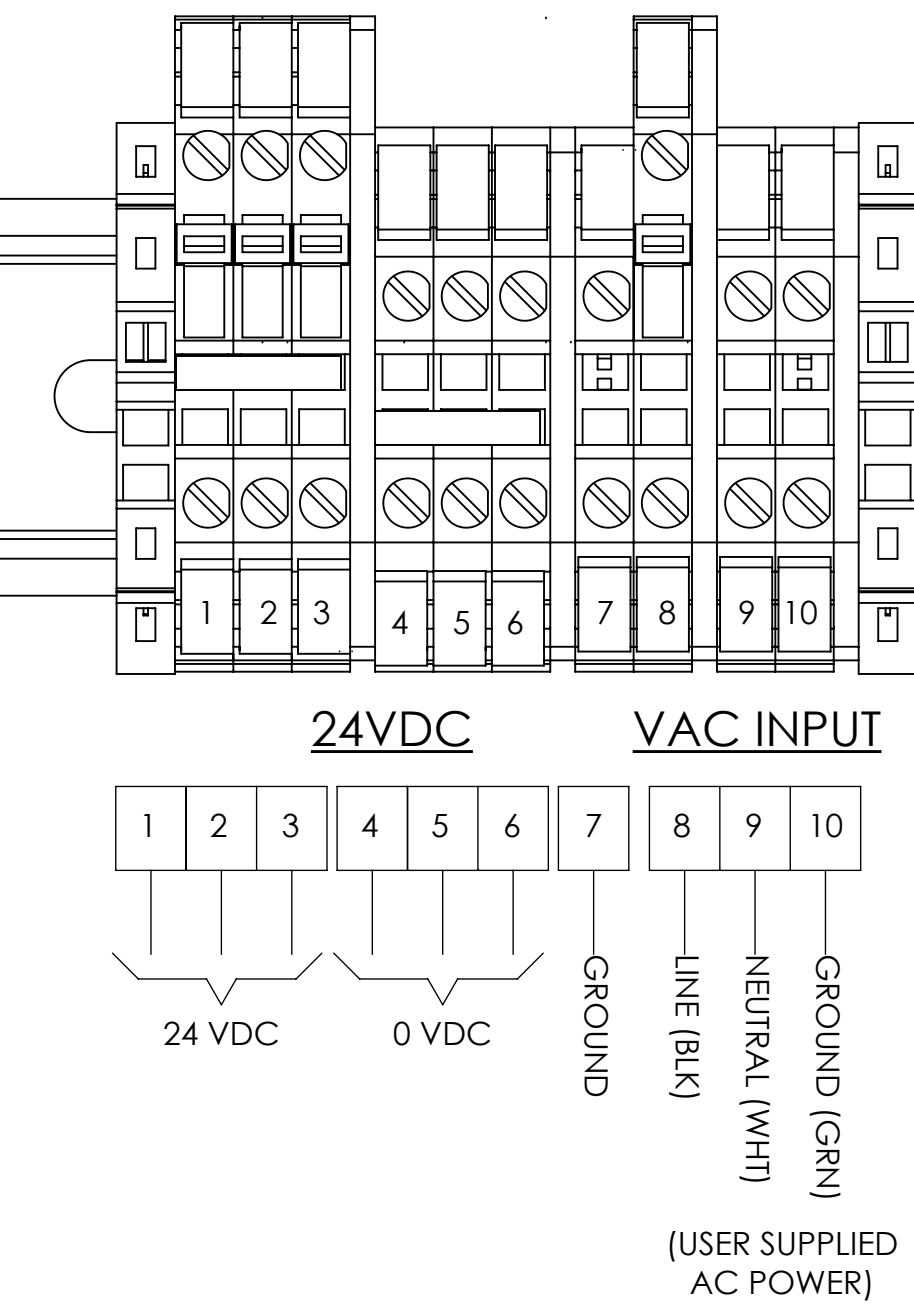
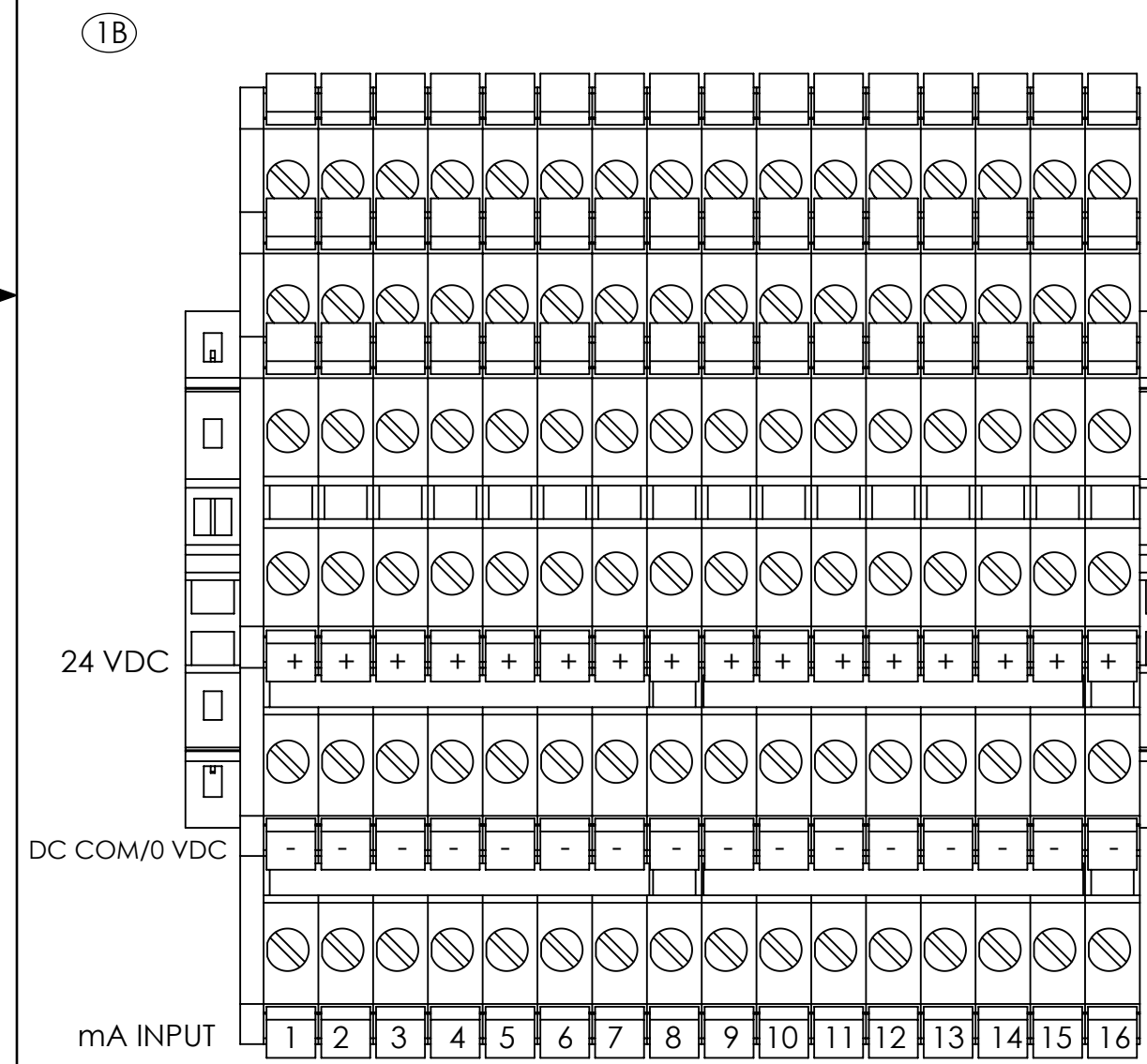
www.MSAafety.com
THIS DRAWING IS THE PROPERTY OF MSA - THE SAFETY COMPANY AND IS MADE AVAILABLE TO YOU IN CONFIDENCE AND SUBJECT TO THE FOLLOWING: NO PERMISSION IS GRANTED TO PUBLISH, USE, REPRODUCE, TRANSMIT OR DISCLOSE THIS DRAWING, OR ANY INFORMATION CONTAINED THEREIN TO OTHERS WITHOUT THE PRIOR WRITTEN CONSENT OF MSA - THE SAFETY COMPANY EXCEPT FOR THE MANUFACTURE OF ARTICLES FOR MSA - THE SAFETY COMPANY.

MSA STANDARD SHOP PRACTICES APPLY	
CRITICAL	MINOR (NO MARK)
MAJOR A	
MAJOR B	
100% INSPECTION	
JOB NO.	DATE
DRAWN BY WJE	5-13-2021
CHECKED BY C. STARTA	08/08/22
PROJECT ENGR. S. DENNINGER	05/13/21
QUALITY ASSURANCE V. VERNACCHIO	08/01/22
MANUFACTURING J. SMOCHEK	08/08/22
SHEET SIZE	D

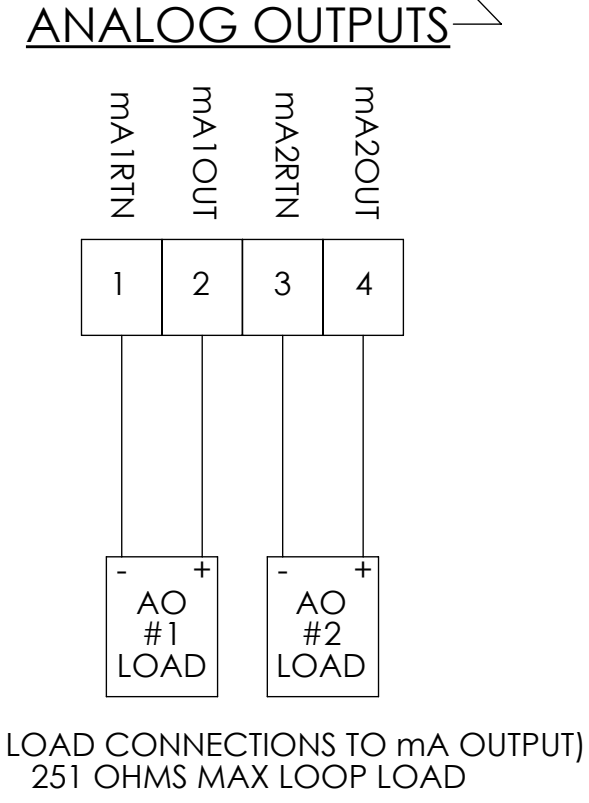
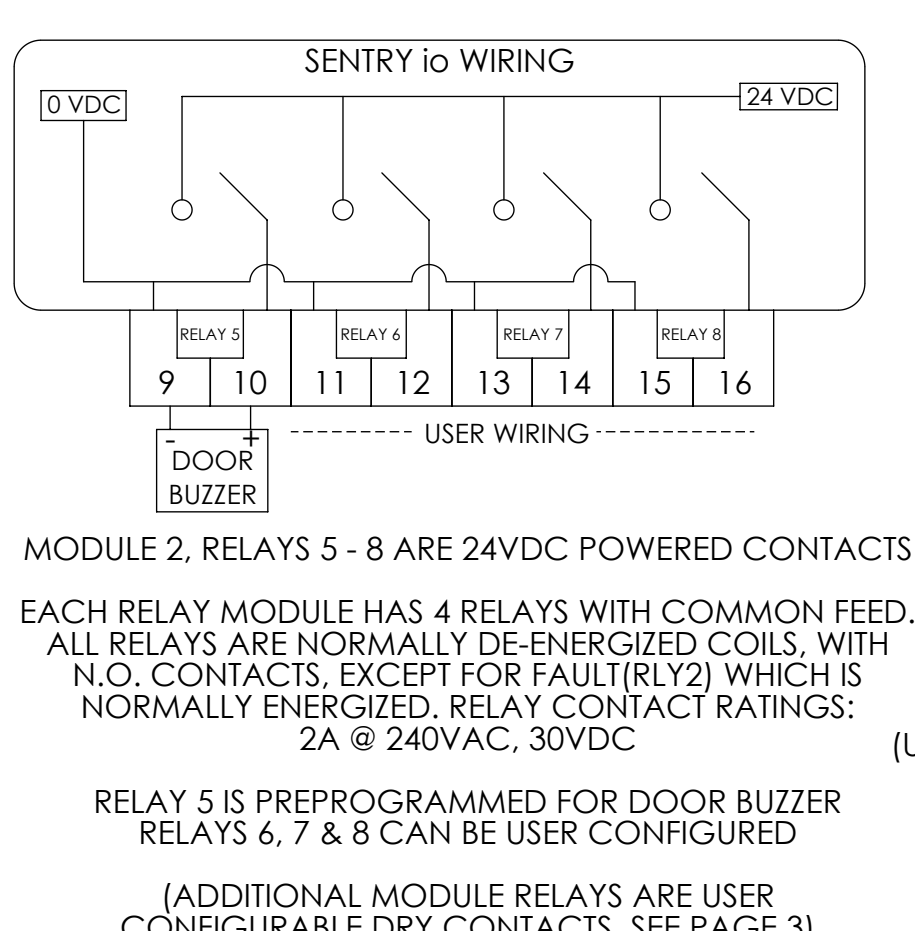
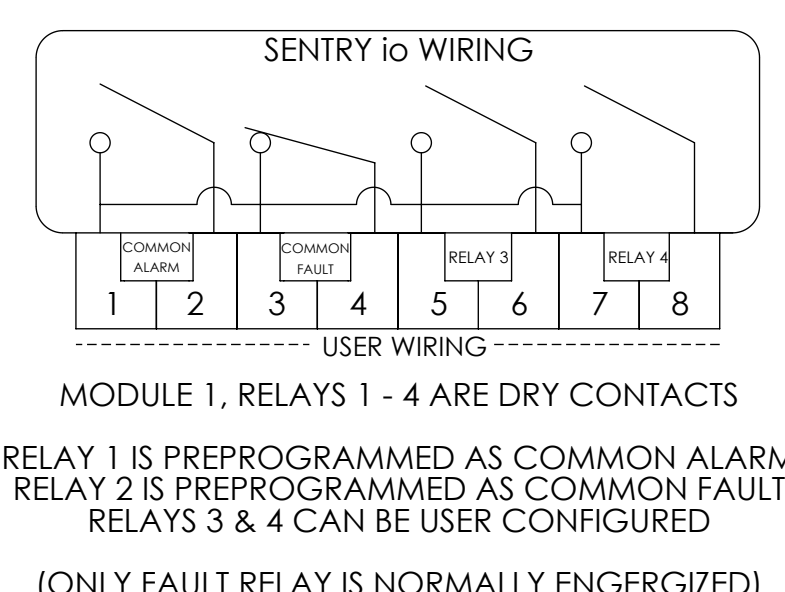
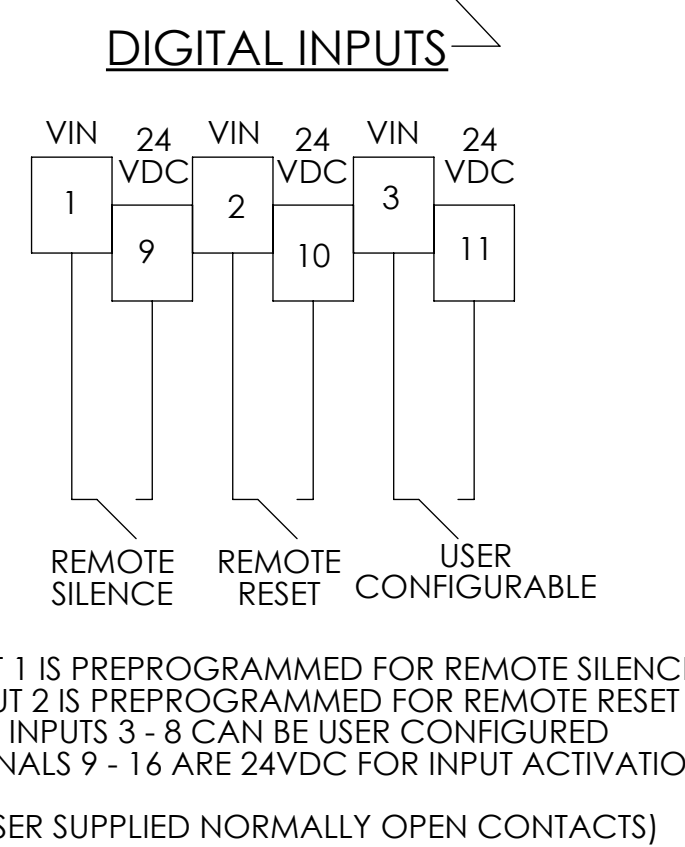
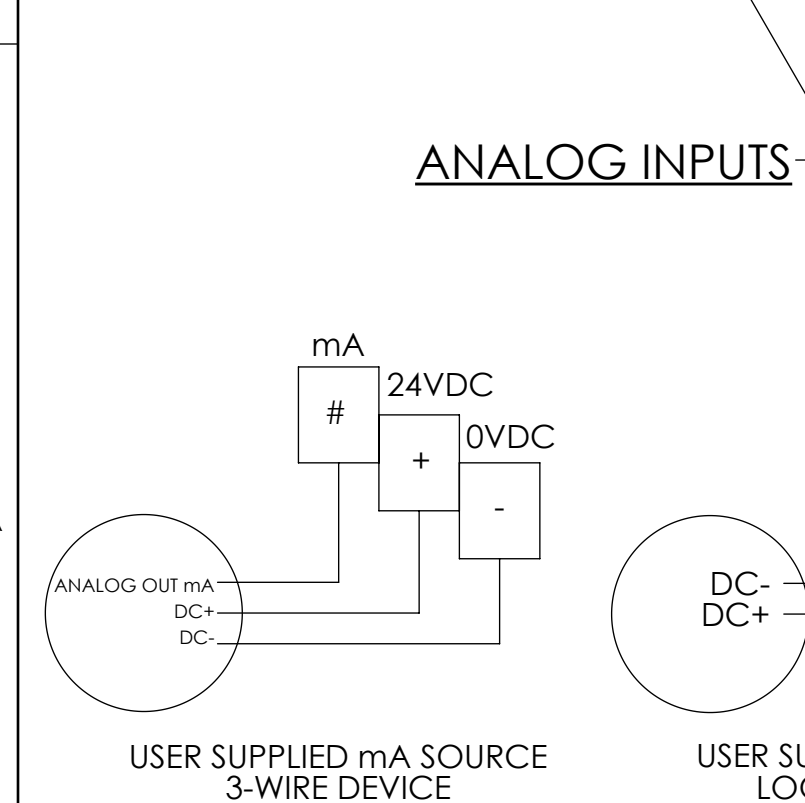
APPROVAL AGENCY CODE: NIOSH ATTR. DOC.:	DO NOT SCALE DWG.
INSTALLATION OUTLINE, SENTRY io	
CADD REF: Small Point Controller - Stahlin 20x14	1:5
SK3015-1071	SHEET 1 OF 6



VIEW A
SHOWING ETHERNET & USB CONNECTIONS



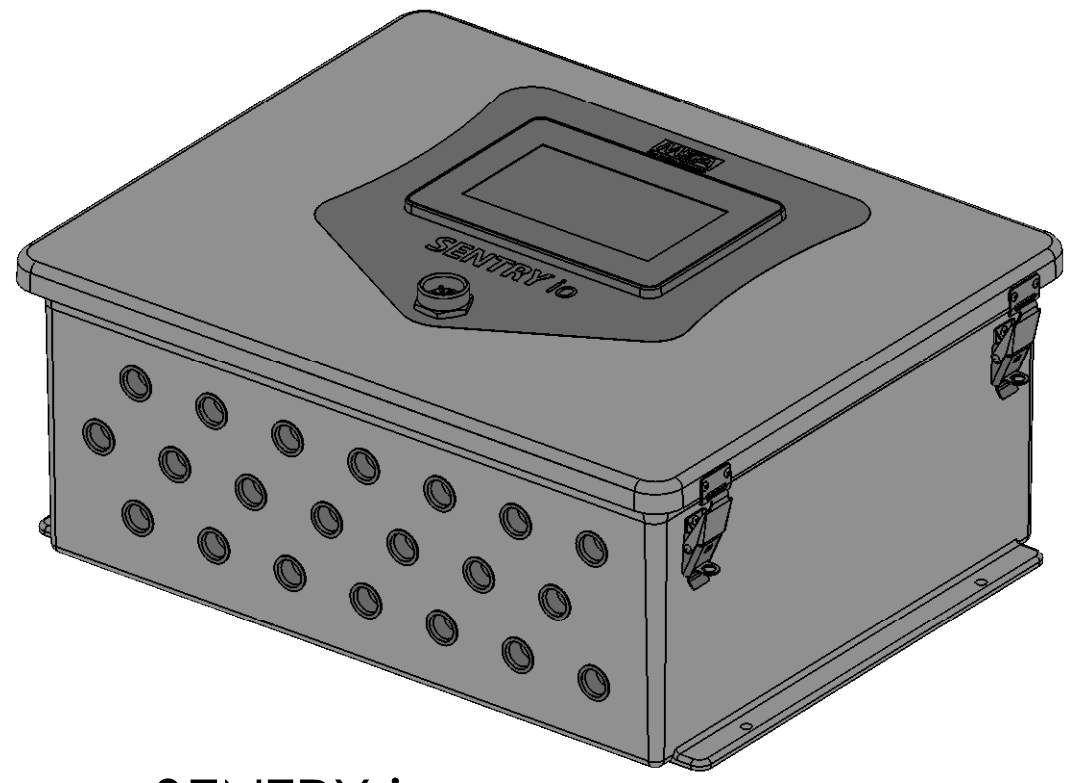
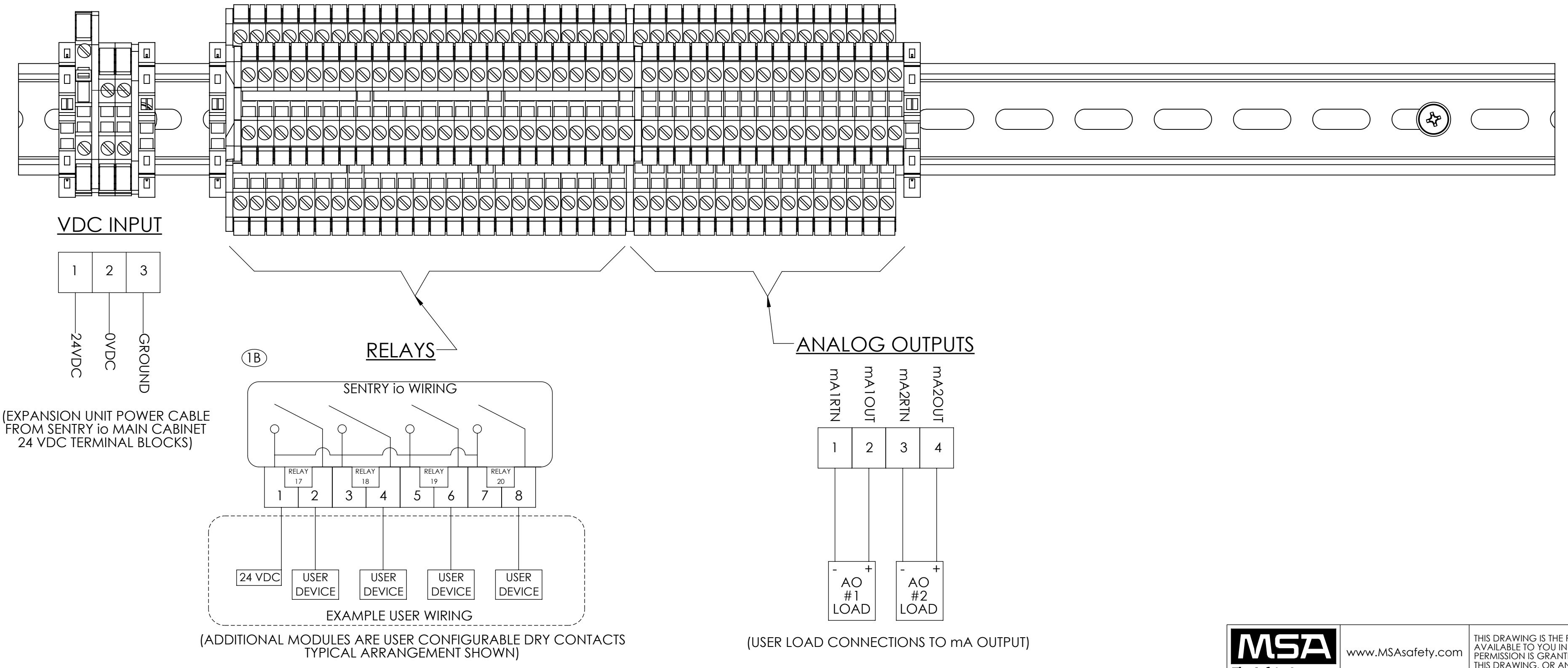
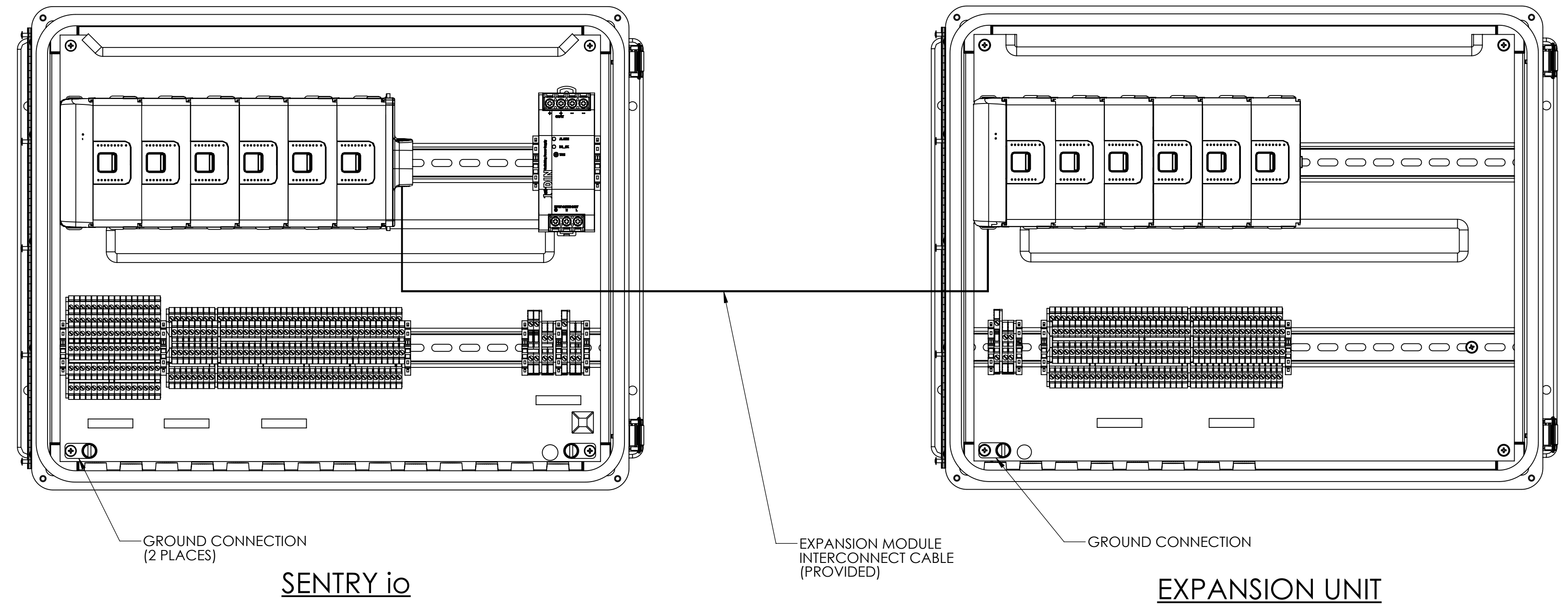
GROUND CONNECTION
(2 PLACES)



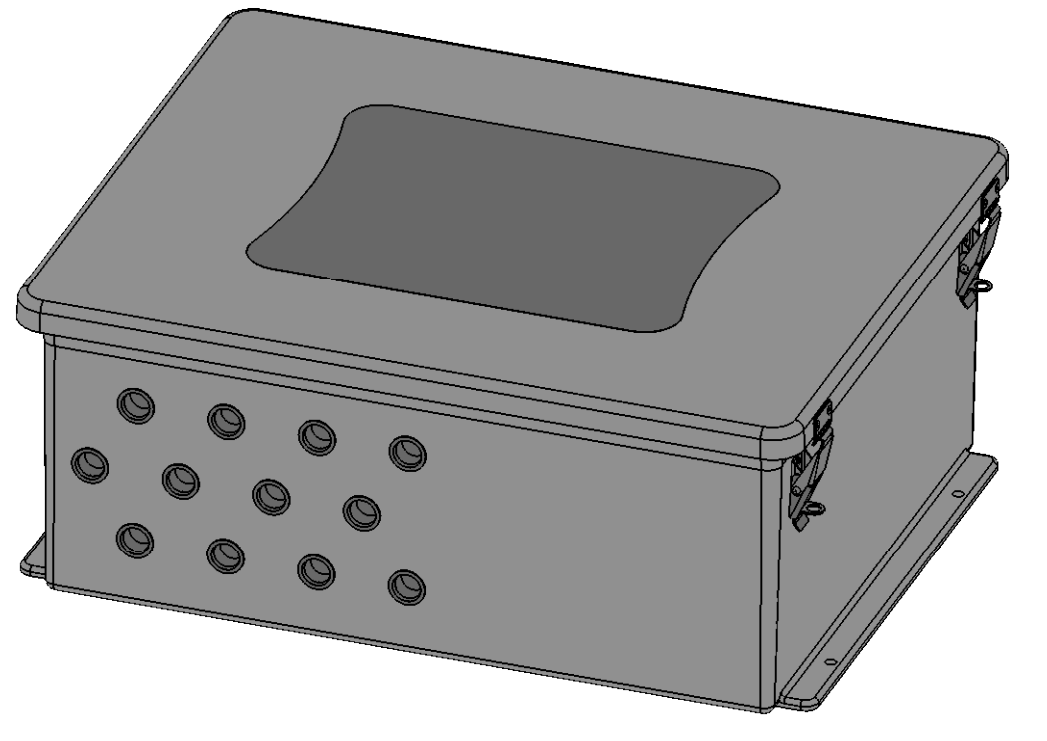
		www.MSAafety.com		THIS DRAWING IS THE PROPERTY OF MSA - THE SAFETY COMPANY AND IS MADE AVAILABLE TO YOU IN CONFIDENCE AND SUBJECT TO THE FOLLOWING: NO PERMISSION IS GRANTED TO PUBLISH, USE, REPRODUCE, TRANSMIT OR DISCLOSE THIS DRAWING, OR ANY INFORMATION CONTAINED THEREIN TO OTHERS WITHOUT THE PRIOR WRITTEN CONSENT OF MSA - THE SAFETY COMPANY EXCEPT FOR THE MANUFACTURE OF ARTICLES FOR MSA - THE SAFETY COMPANY.	
MSA STANDARD SHOP PRACTICES APPLY		APPROVAL AGENCY CODE: NIOSH ATTR. DOC.:		LIFECYCLE STATE: Production	
CODE SYMBOLS CRITICAL MAJOR A MAJOR B 100% INSPECTION		JOB NO. DATE WJE 5-13-2021		REVISION: 1	
CHECKED BY: C. STARTA 08/08/22		PROJECT ENGR. S. DENNINGER 05/13/21		DO NOT SCALE DWG.	
QUALITY ASSURANCE V. VERNACCHIO 08/01/22		MANUFACTURING J. SMOCHEK 08/08/22		THIRD-ANGLE PROJECTION	
SHEET SIZE: D		SK3015-1071		SHEET 2 OF 6	

INSTALLATION OUTLINE, SENTRY io

CADD REF: Small Point Controller - Stahlin 20x14 801116 1:5



SENTRY io WITH EXPANSION UNIT

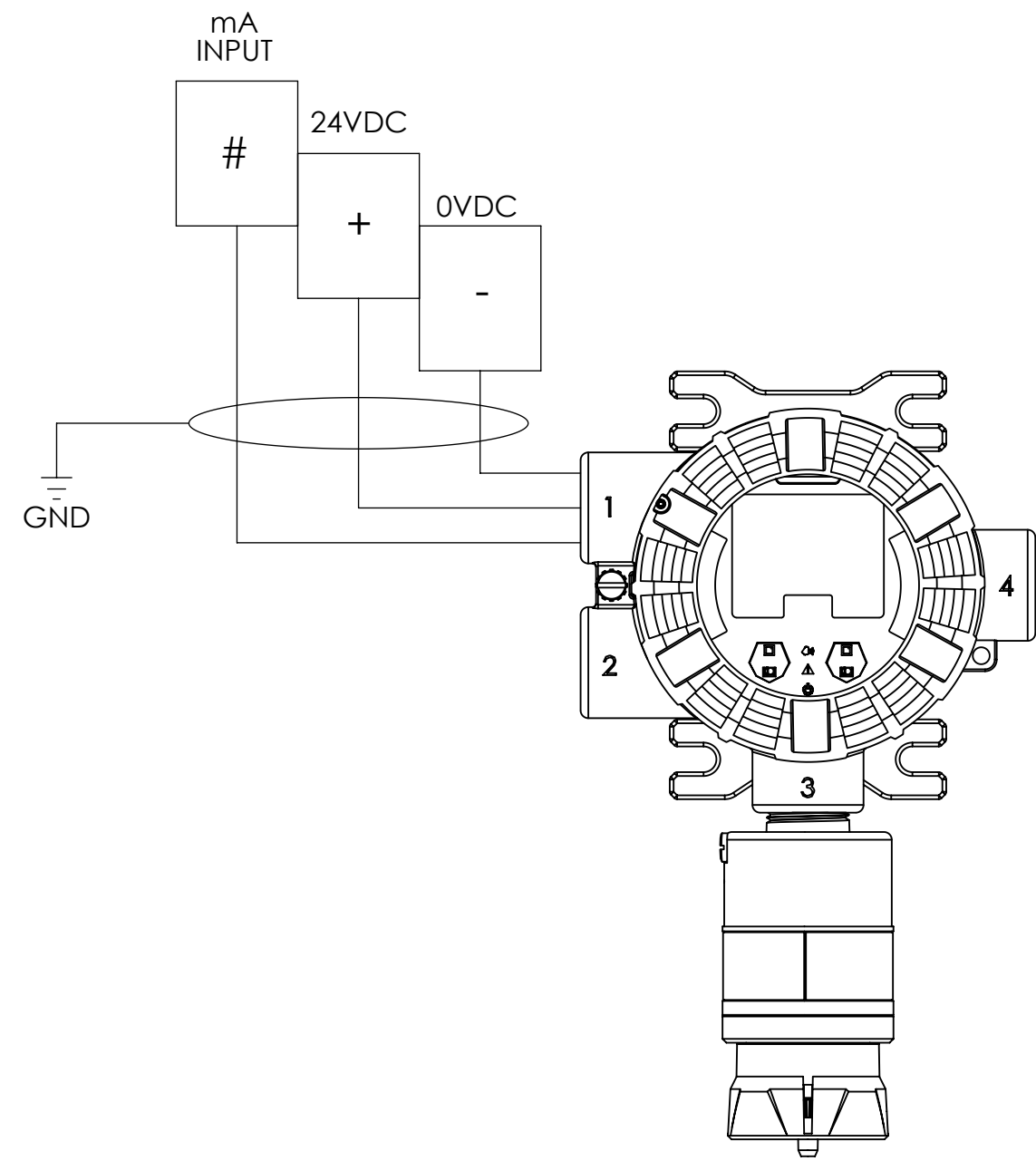


LIFECYCLE STATE	REVISION
Production	1

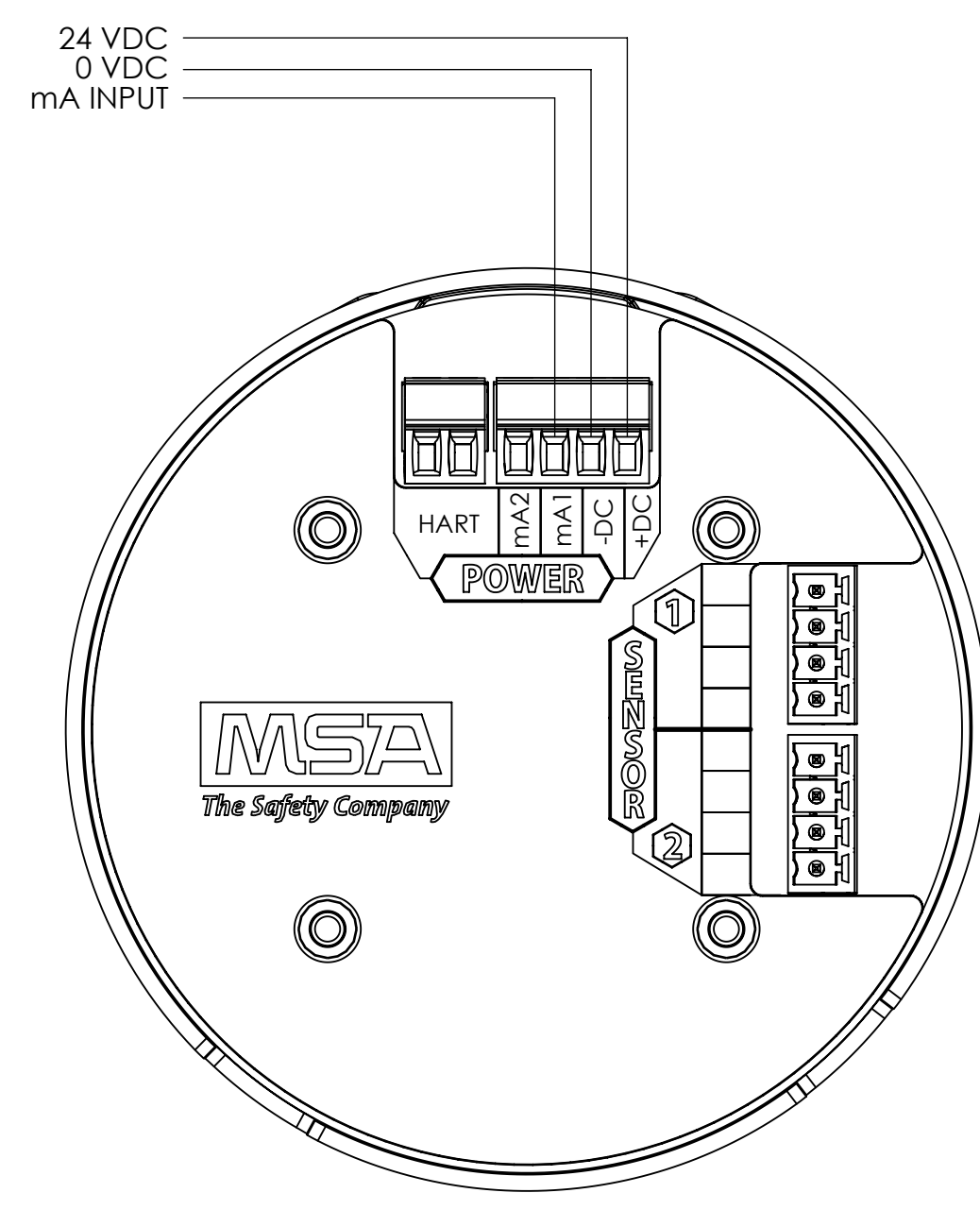
MSA The Safety Company		www.MSAsafety.com	
MSA STANDARD SHOP PRACTICES APPLY			
CODE SYMBOLS		JOB NO.	
CRITICAL Δ	MINOR (NO MARK)	DRAWN BY	DATE
MAJOR A Δ		WJE	5-13-2021
MAJOR B Δ		CHECKED BY	
100% INSPECTION Δ		C. STARTA	08/08/22
		PROJECT ENGR.	
		S. DENNINGER	05/13/21
		QUALITY ASSURANCE	
		V. VERNACCHIO	08/01/22
		MANUFACTURING	
		J. SMOCHEK	08/08/22
SHEET SIZE		CADD REF: Small Point Controller - Stahlin 20x14 8/21/22	
D		SK3015-1071	

THIS DRAWING IS THE PROPERTY OF MSA - THE SAFETY COMPANY AND IS MADE AVAILABLE TO YOU IN CONFIDENCE AND SUBJECT TO THE FOLLOWING: NO PERMISSION IS GRANTED TO PUBLISH, USE, REPRODUCE, TRANSMIT OR DISCLOSE THIS DRAWING, OR ANY INFORMATION CONTAINED THEREIN TO OTHERS WITHOUT THE PRIOR WRITTEN CONSENT OF MSA - THE SAFETY COMPANY EXCEPT FOR THE MANUFACTURE OF ARTICLES FOR MSA - THE SAFETY COMPANY.		APPROVAL AGENCY CODE: NIOSH ATTR. DOC.:	
DO NOT SCALE DWG.		THIRD-ANGLE PROJECTION	
INSTALLATION OUTLINE, SENTRY io			
SHEET SIZE		SHEET	
D SK3015-1071		3 OF 6	

SENTRY io
Analog Terminals

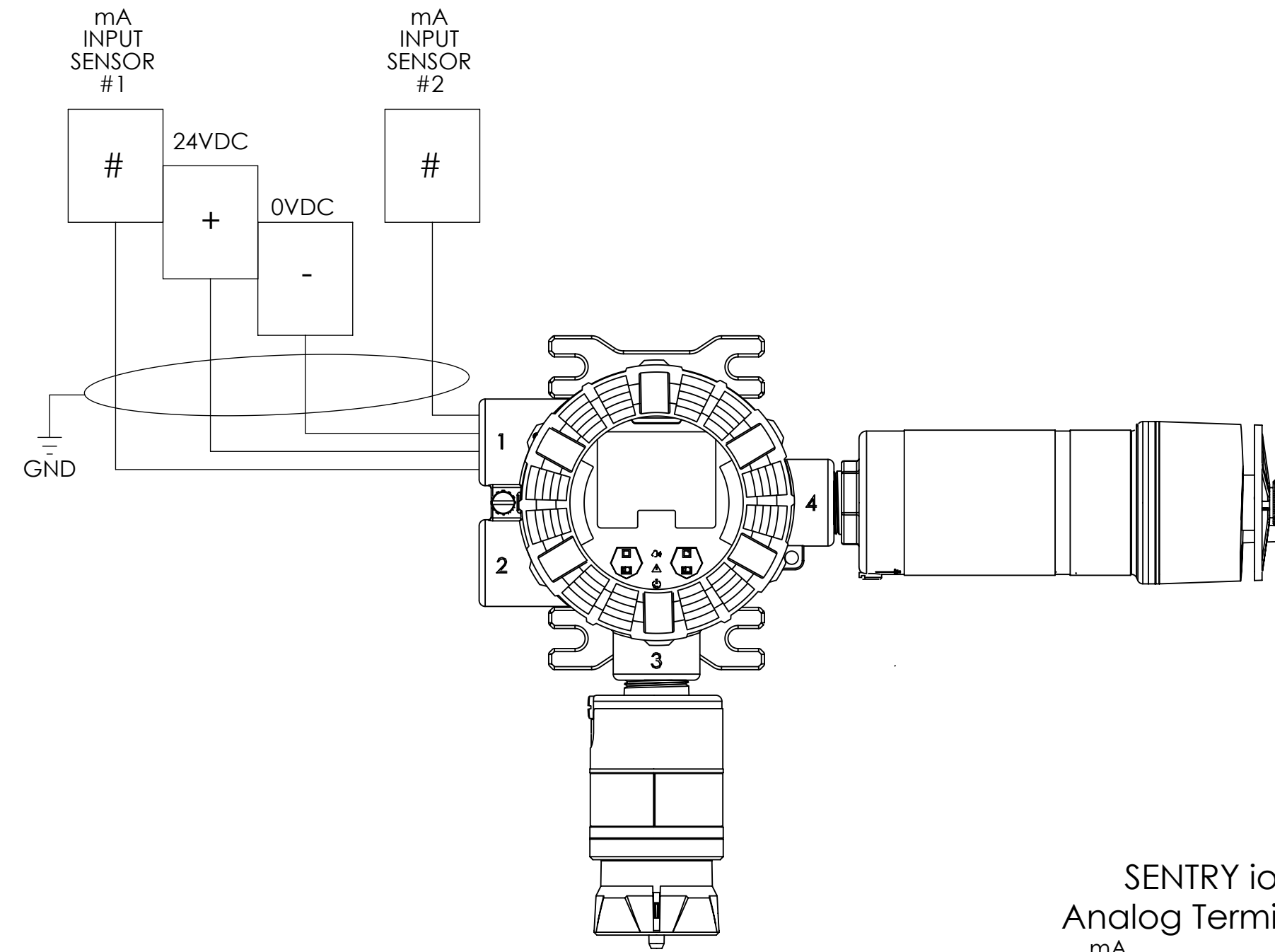


X5000

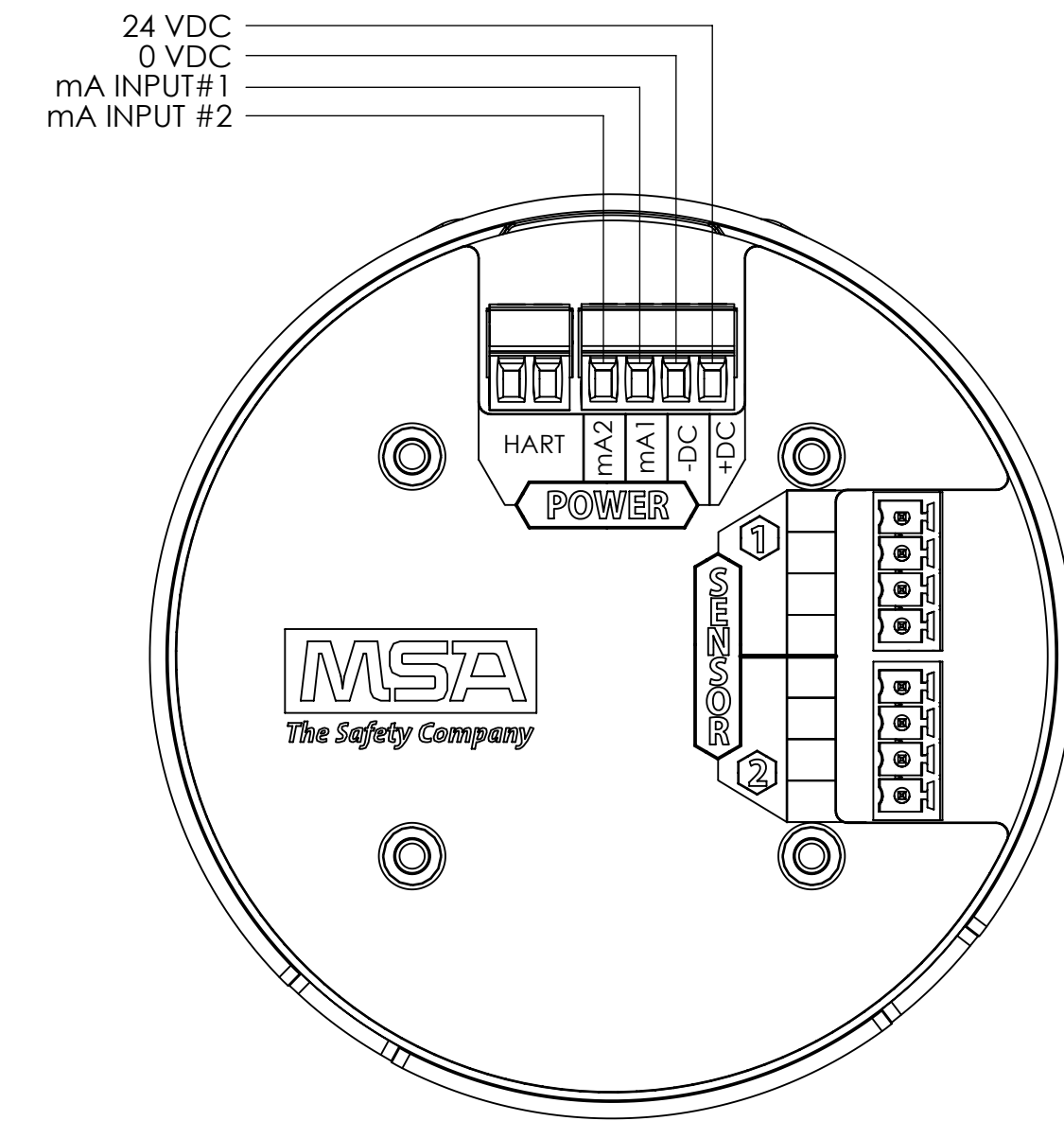


X5000 INTERNAL
TERMINATIONS

SENTRY io
Analog Terminals

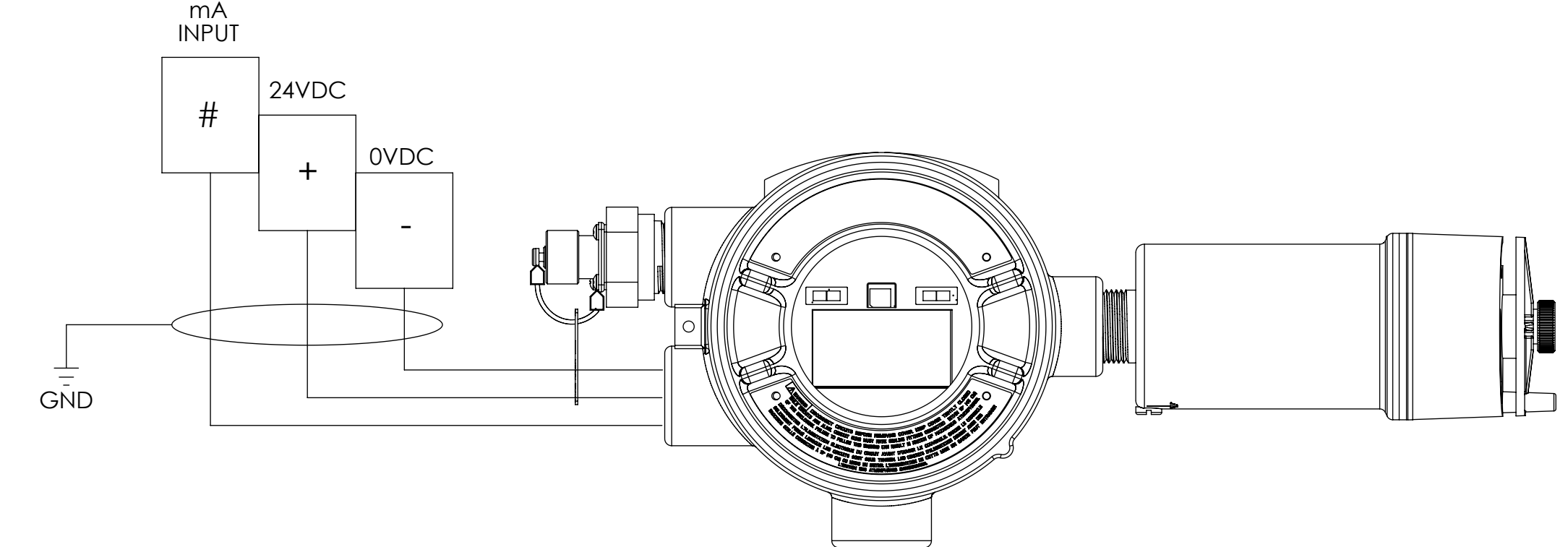


X5000 Dual Sensor

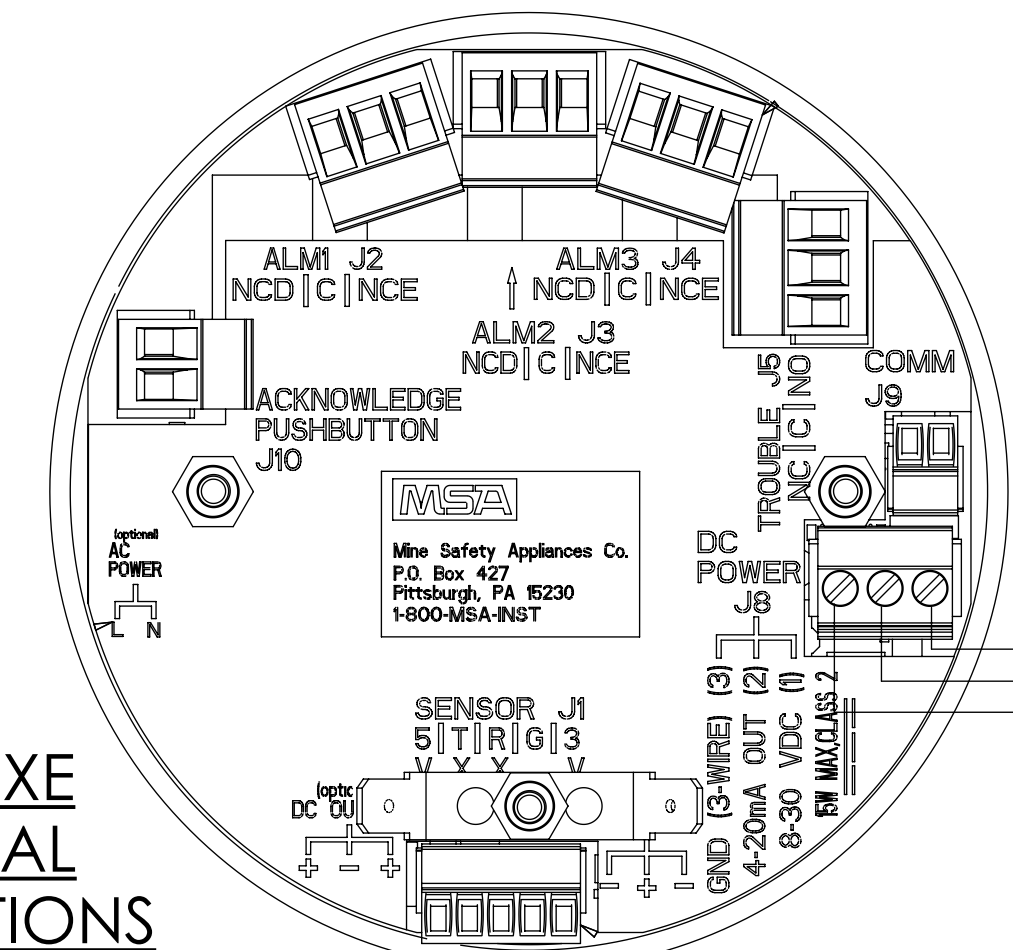


X5000 Dual Sensor
INTERNAL TERMINATIONS

SENTRY io
Analog Terminals

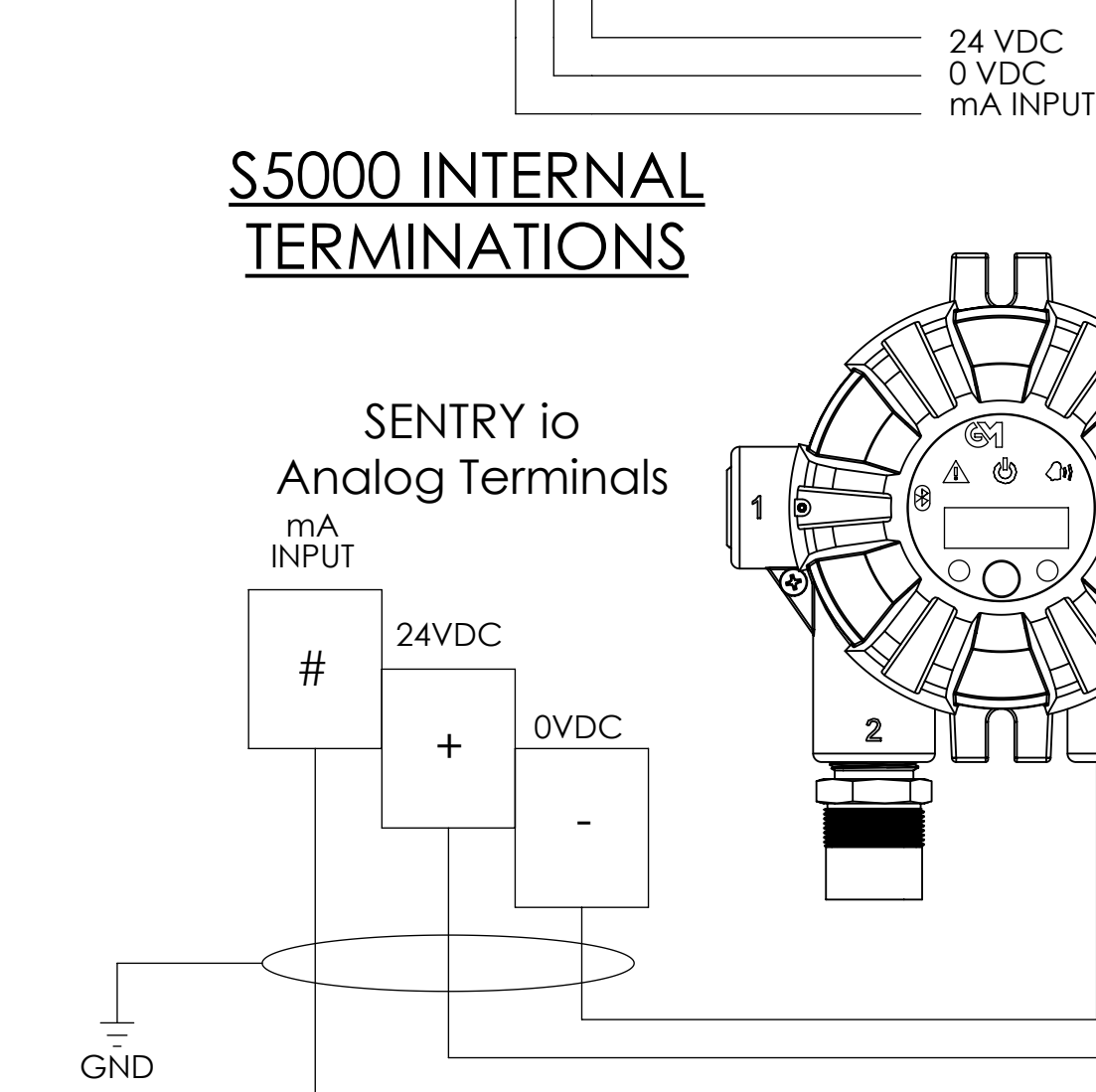


Ultima XE



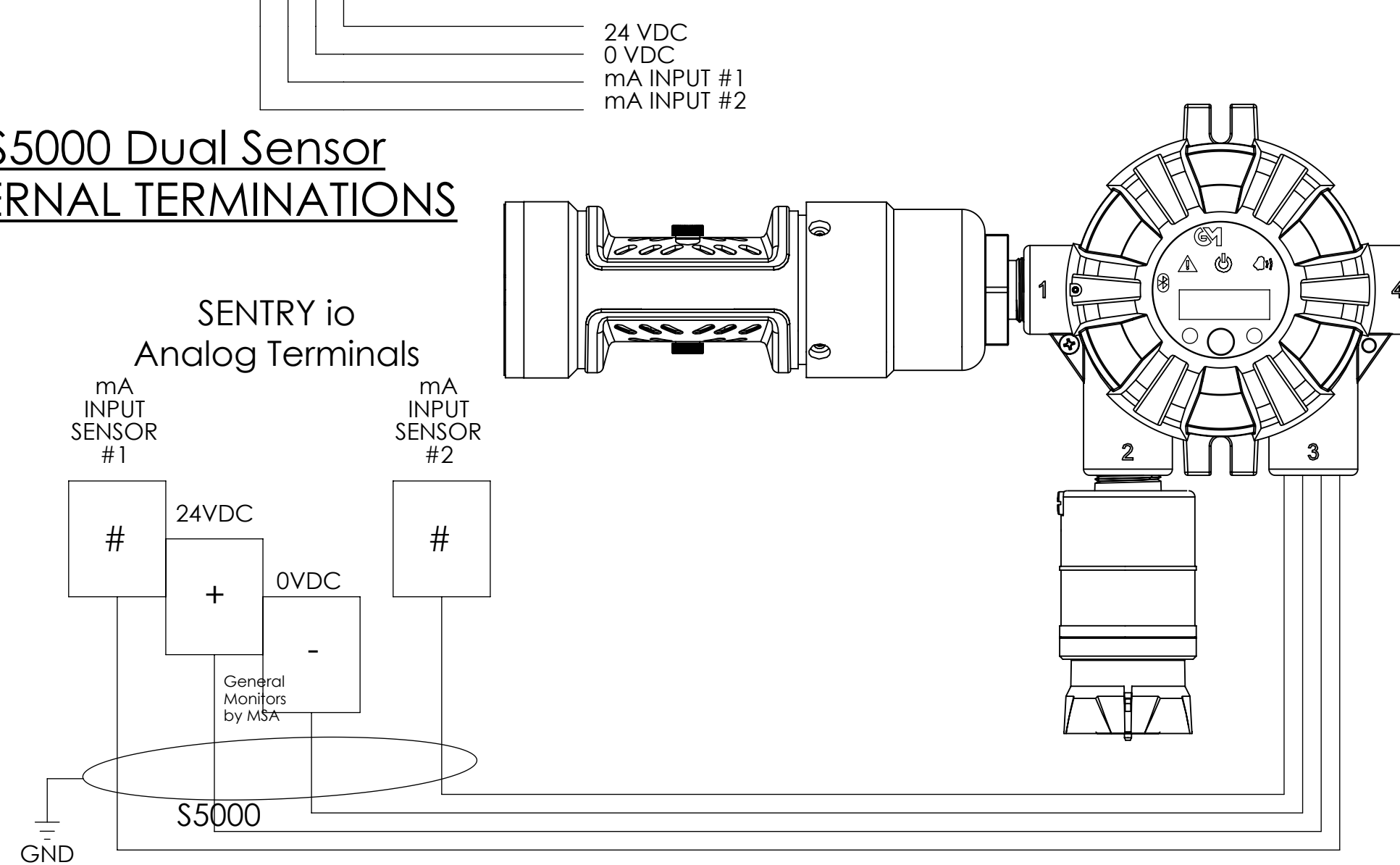
Ultima XE
INTERNAL
TERMINATIONS

S5000 INTERNAL
TERMINATIONS



S5000

S5000 Dual Sensor
INTERNAL TERMINATIONS



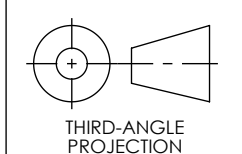
S5000 Dual Sensor

LIFECYCLE STATE
Production 1



www.MSAafety.com

THIS DRAWING IS THE PROPERTY OF MSA - THE SAFETY COMPANY AND IS MADE AVAILABLE TO YOU IN CONFIDENCE AND SUBJECT TO THE FOLLOWING: NO PERMISSION IS GRANTED TO PUBLISH, USE, REPRODUCE, TRANSMIT OR DISCLOSE THIS DRAWING, OR ANY INFORMATION CONTAINED THEREIN TO OTHERS WITHOUT THE PRIOR WRITTEN CONSENT OF MSA - THE SAFETY COMPANY EXCEPT FOR THE MANUFACTURE OF ARTICLES FOR MSA - THE SAFETY COMPANY.



DO NOT SCALE DWG.

MSA STANDARD SHOP PRACTICES APPLY
CODE SYMBOLS
CRITICAL (A) MINOR (NO MARK)
MAJOR A (A) MAJOR B (B)
100% INSPECTION (C)

JOB NO.
DRAWN BY WJE DATE 5-13-2021
CHECKED BY C. STARTA 08/08/22
PROJECT ENGR. S. DENNINGER 05/13/21
QUALITY ASSURANCE V. VERNACCHIO 08/01/22
MANUFACTURING J. SMOCHEK 08/08/22

APPROVAL AGENCY CODE: NIOSH ATTR. DOC.:

INSTALLATION OUTLINE,
SENTRY io

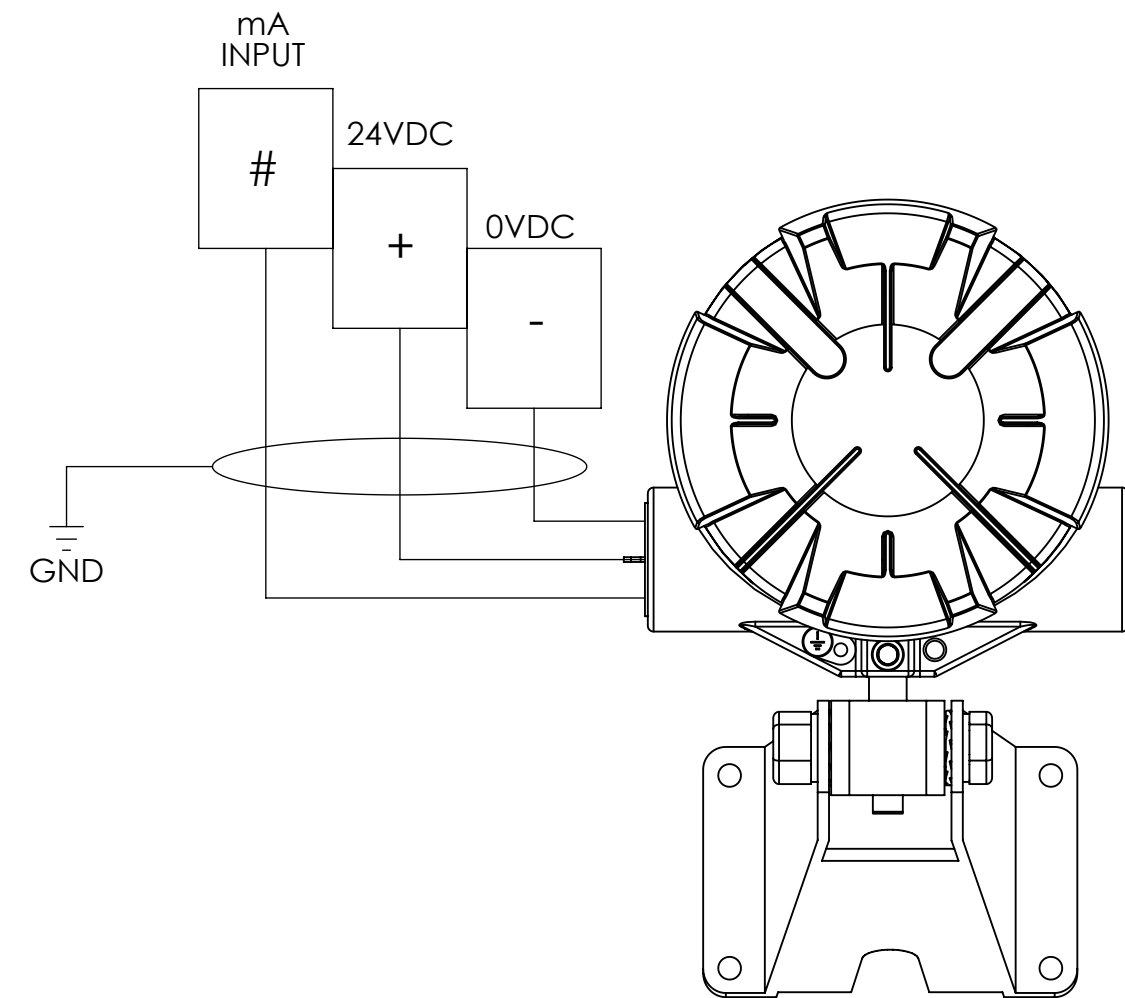
CADD REF: Small Point Controller - Stahlin 20x14 80116d 1:3

SHEET SIZE
D

SK3015-1071

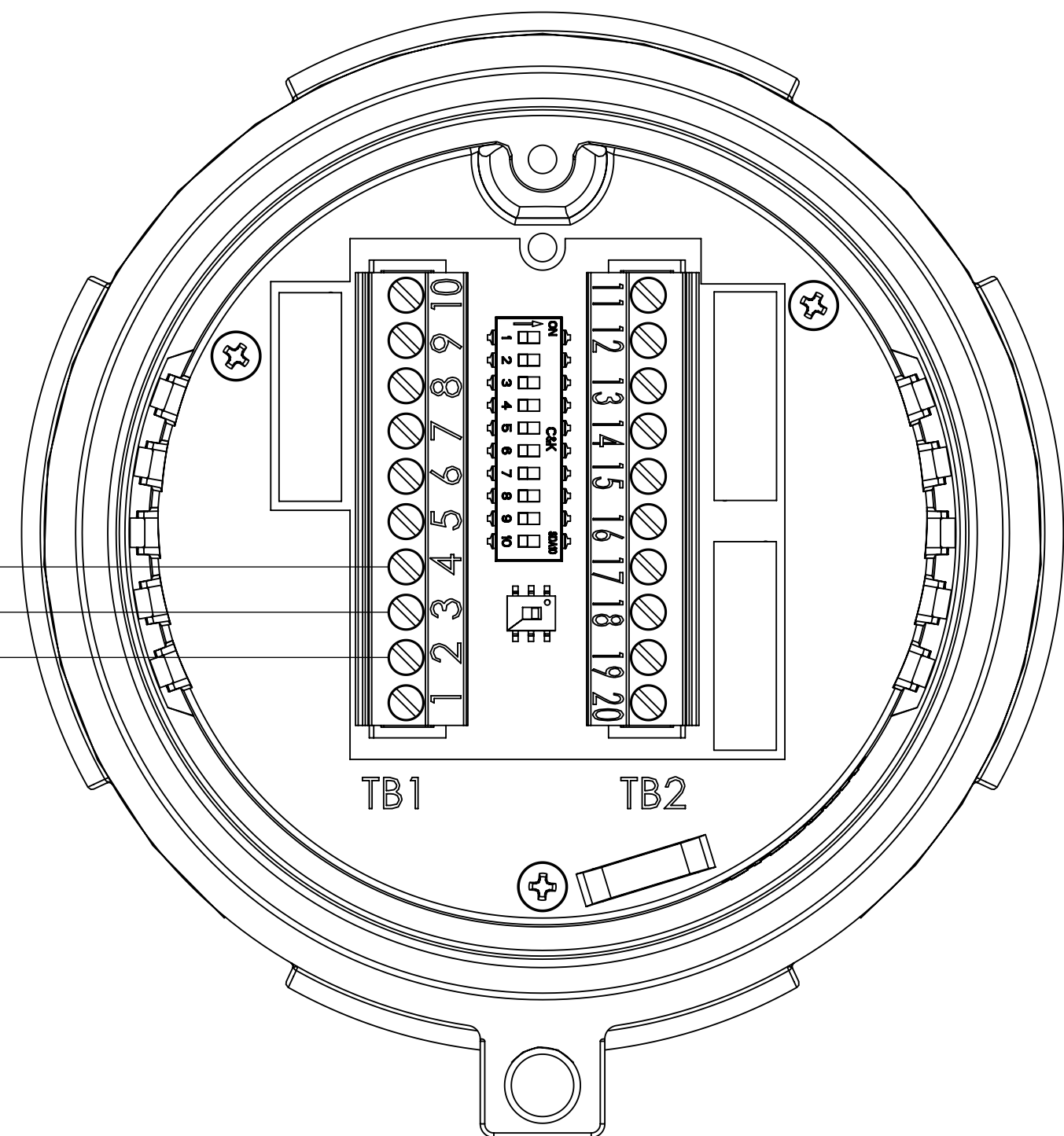
SHEET
4 OF 6

SENTRY io
Analog Terminals



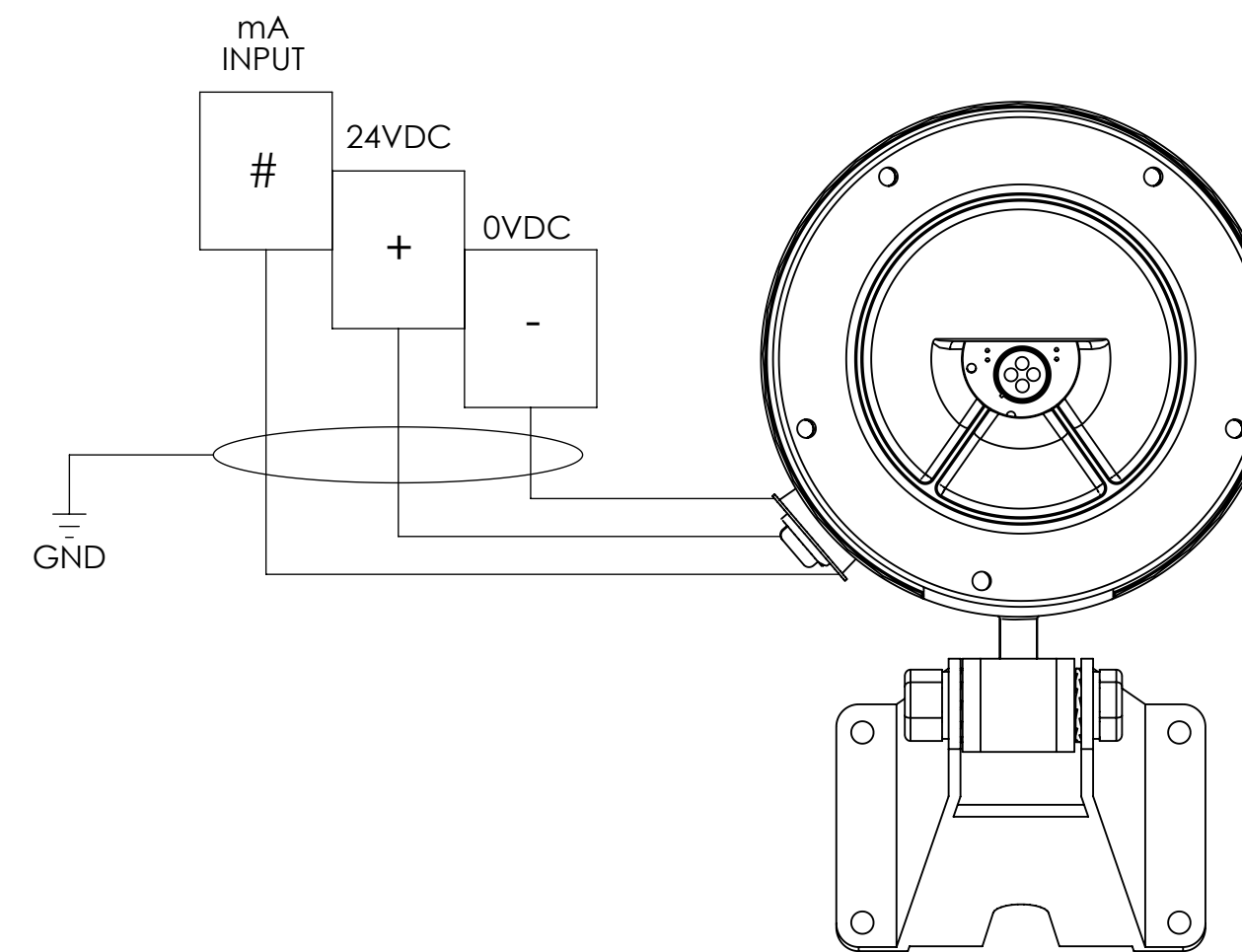
FL500

mA INPUT
24 VDC
0 VDC

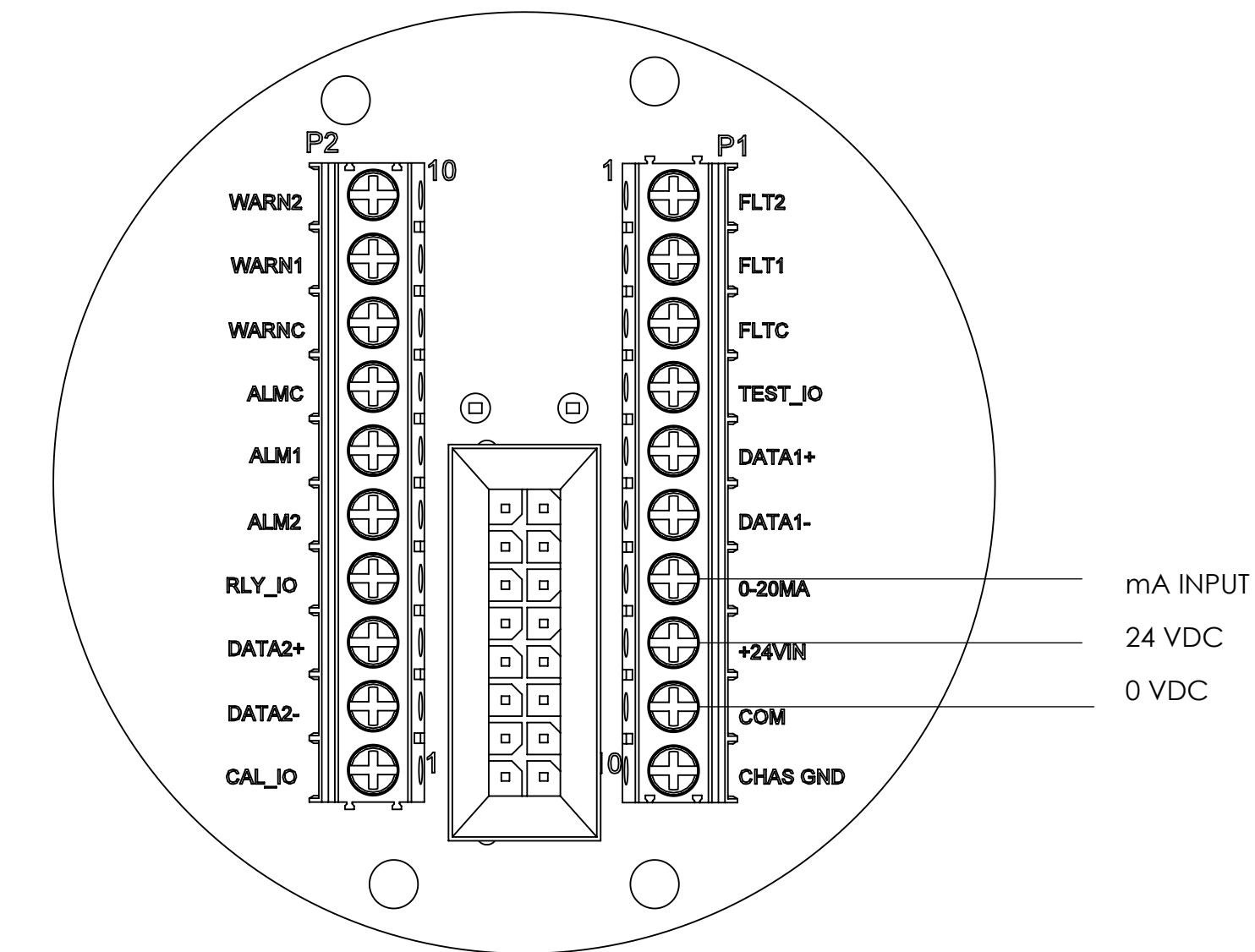


FL500 INTERNAL
TERMINATIONS

SENTRY io
Analog Terminals

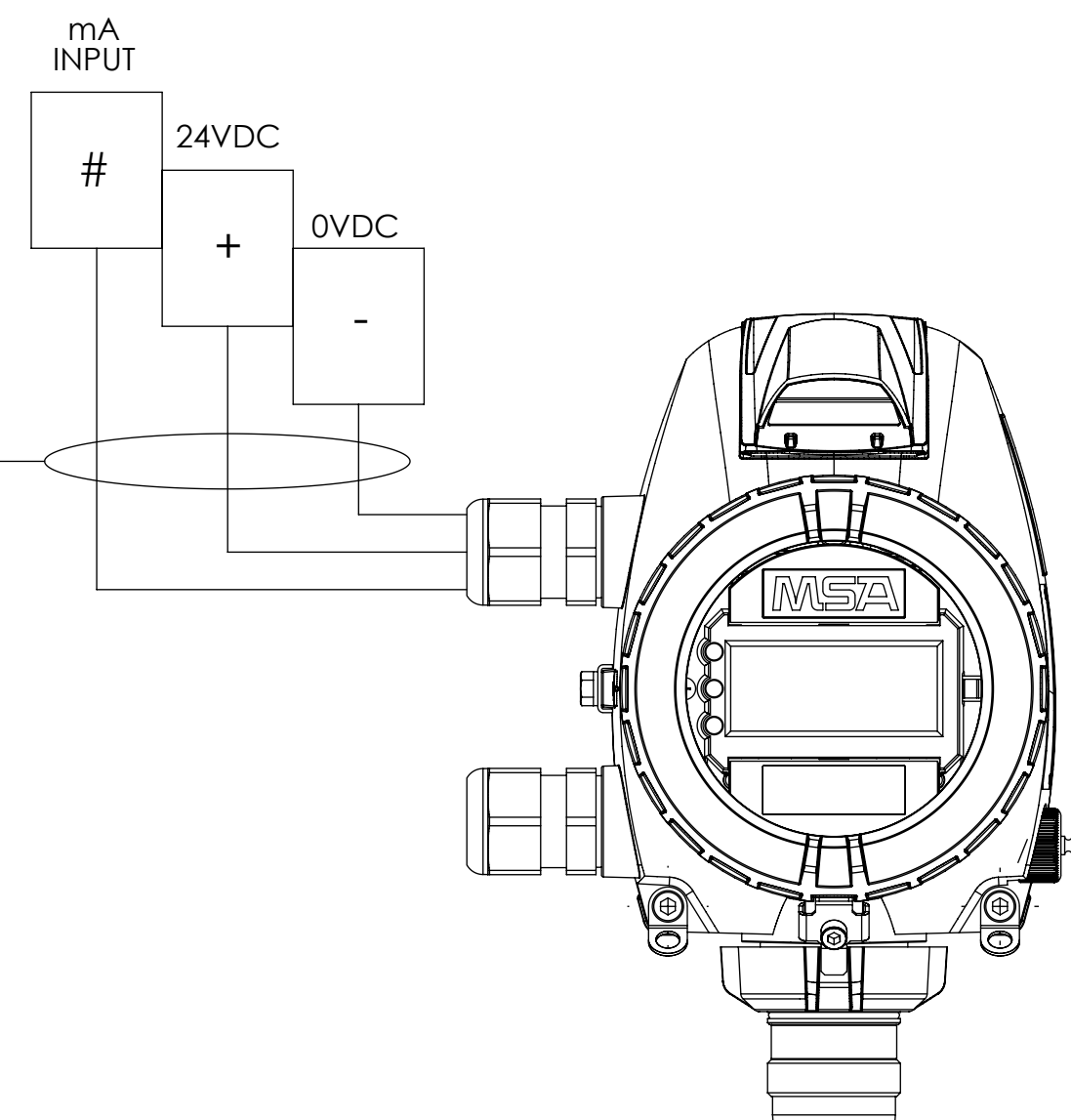


FL4000H



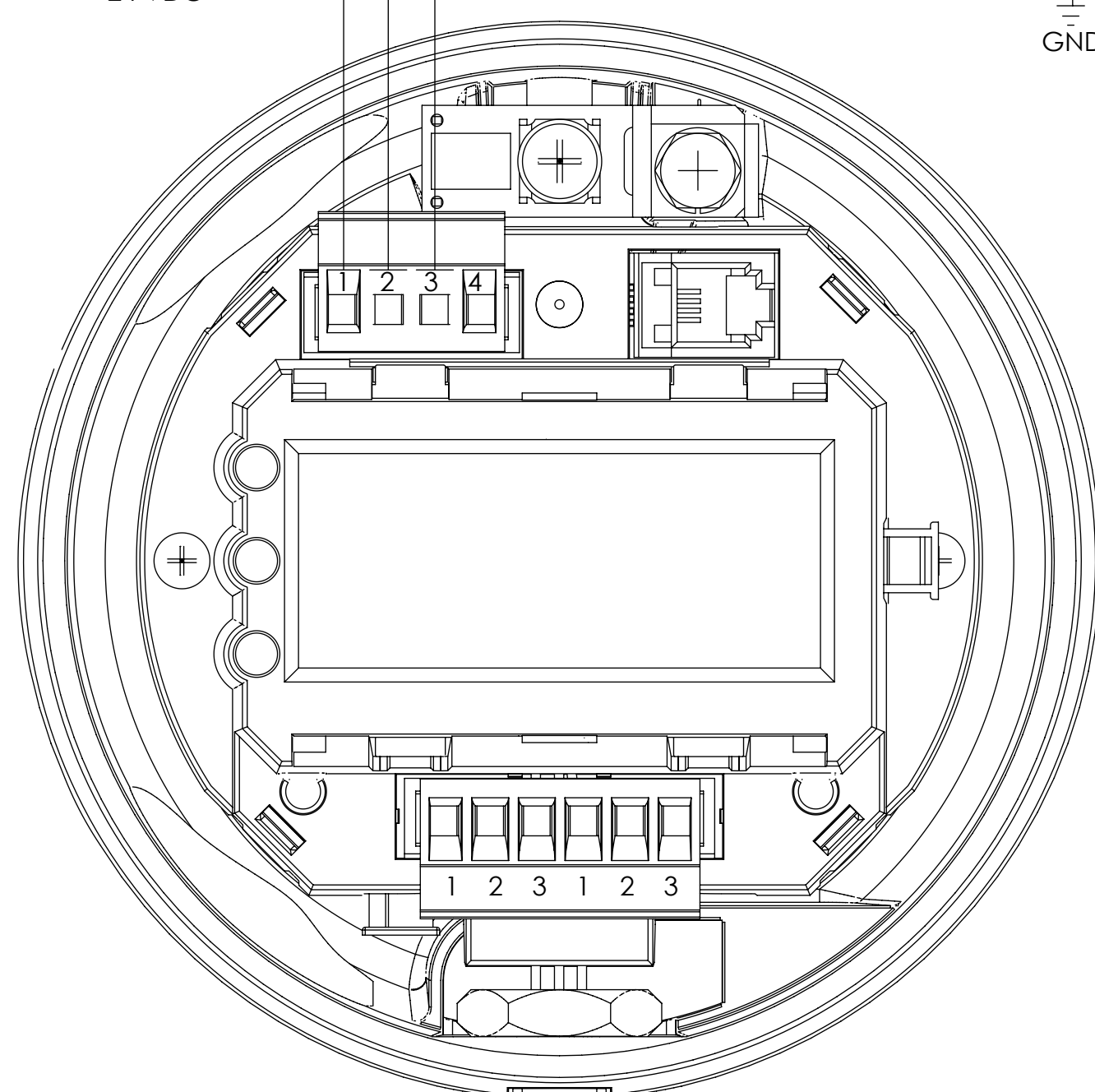
FL4000H INTERNAL
TERMINATIONS

mA INPUT
24 VDC
0 VDC



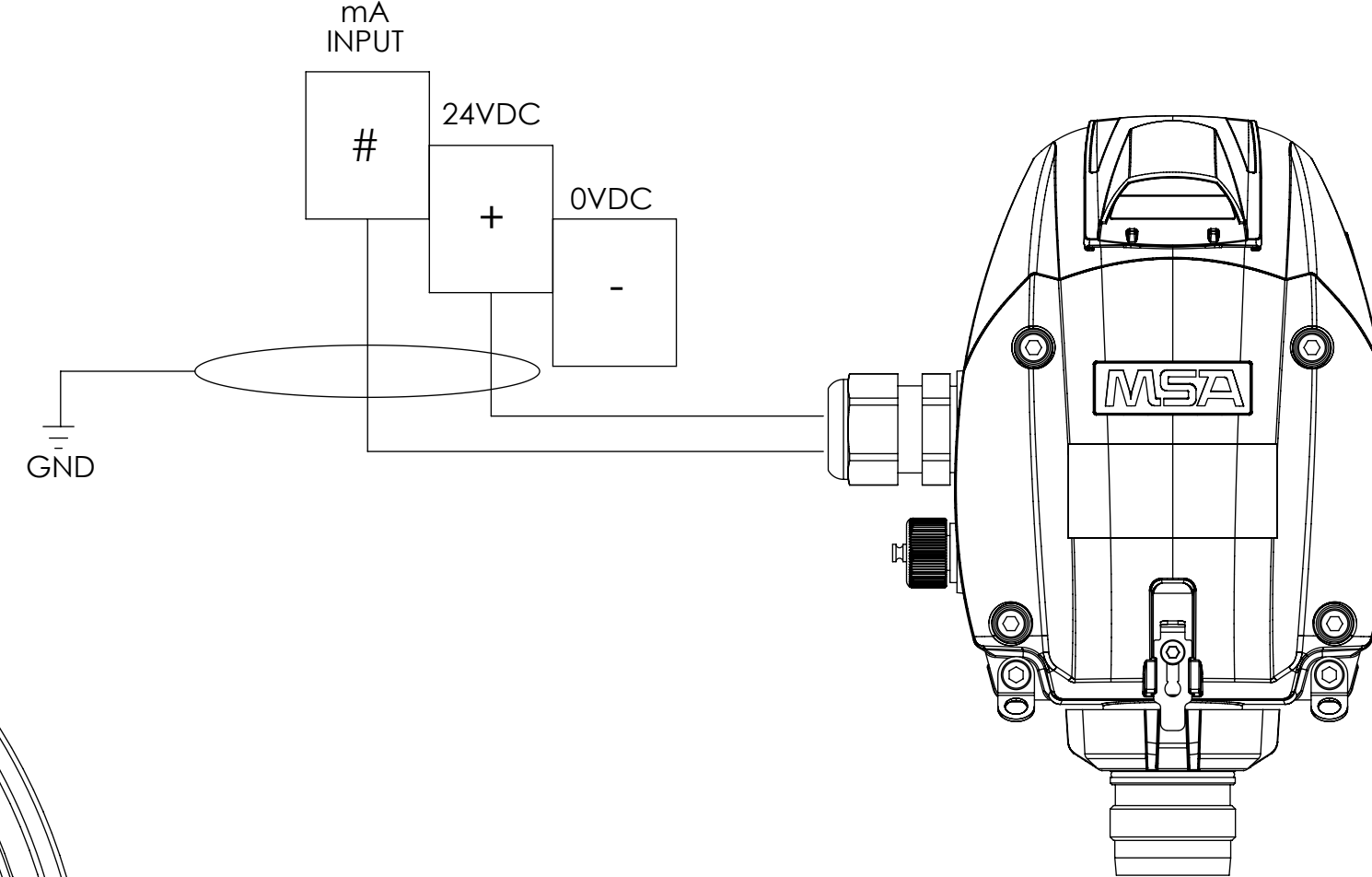
PrimaX P

mA INPUT
0 VDC
24 VDC



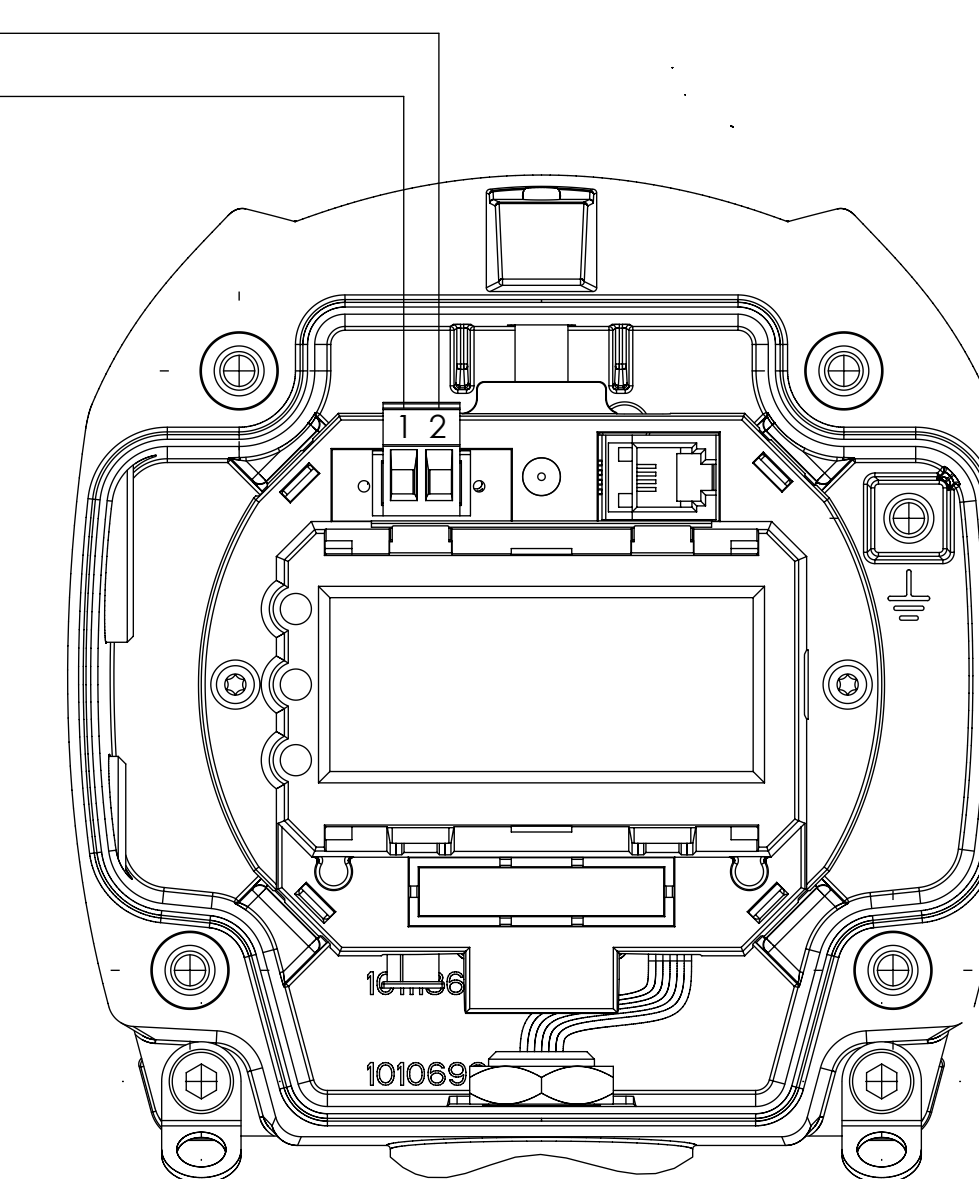
PrimaX P
INTERNAL TERMINATIONS

SENTRY io
Analog Terminals



PrimaX I (2 wire)

24 VDC
mA INPUT

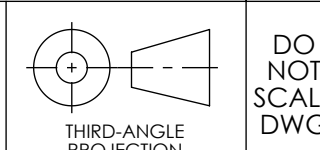


PrimaX I (2 wire)
INTERNAL TERMINATIONS

LIFECYCLE STATE
Production
REVISION
1



THIS DRAWING IS THE PROPERTY OF MSA - THE SAFETY COMPANY AND IS MADE AVAILABLE TO YOU IN CONFIDENCE AND SUBJECT TO THE FOLLOWING: NO PERMISSION IS GRANTED TO PUBLISH, USE, REPRODUCE, TRANSMIT OR DISCLOSE THIS DRAWING, OR ANY INFORMATION CONTAINED THEREIN TO OTHERS WITHOUT THE PRIOR WRITTEN CONSENT OF MSA - THE SAFETY COMPANY EXCEPT FOR THE MANUFACTURE OF ARTICLES FOR MSA - THE SAFETY COMPANY.



MSA STANDARD SHOP PRACTICES APPLY
CODE SYMBOLS
CRITICAL Δ
MAJOR A ∇
MAJOR B ∇
100% INSPECTION ∇

JOB NO.
DRAWN BY
DATE
CHECKED BY
PROJECT ENGR.
QUALITY ASSURANCE
MANUFACTURING

APPROVAL AGENCY CODE: NIOSH ATTR. DOC.:
SHEET SIZE

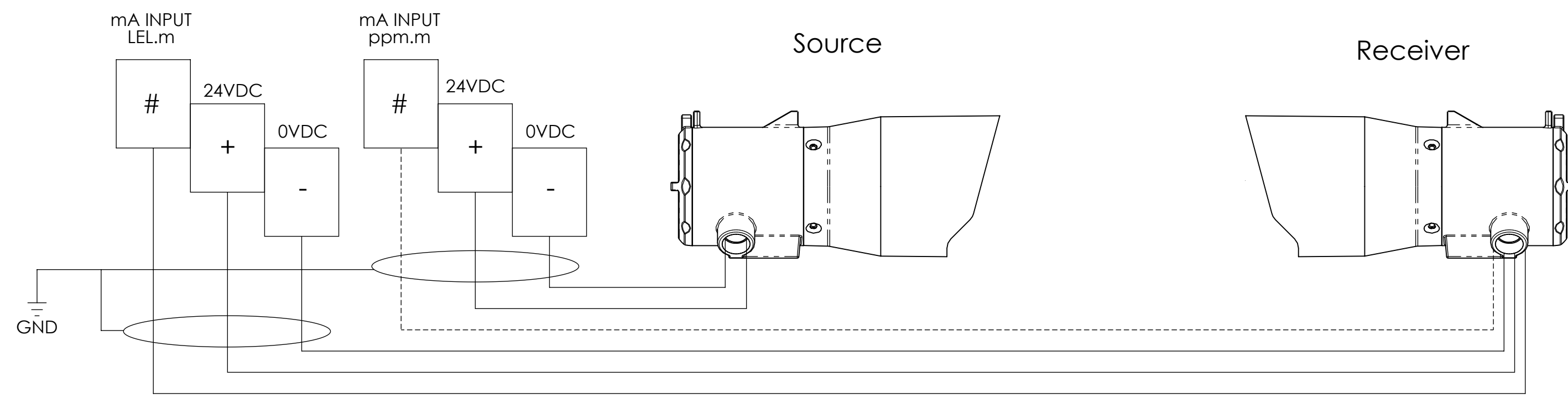
INSTALLATION OUTLINE,
SENTRY io

WJE 5-13-2021
C. STARTA 08/08/22
S. DENNINGER 05/13/21
V. VERNACCHIO 08/01/22
J. SMOCHEK 08/08/22

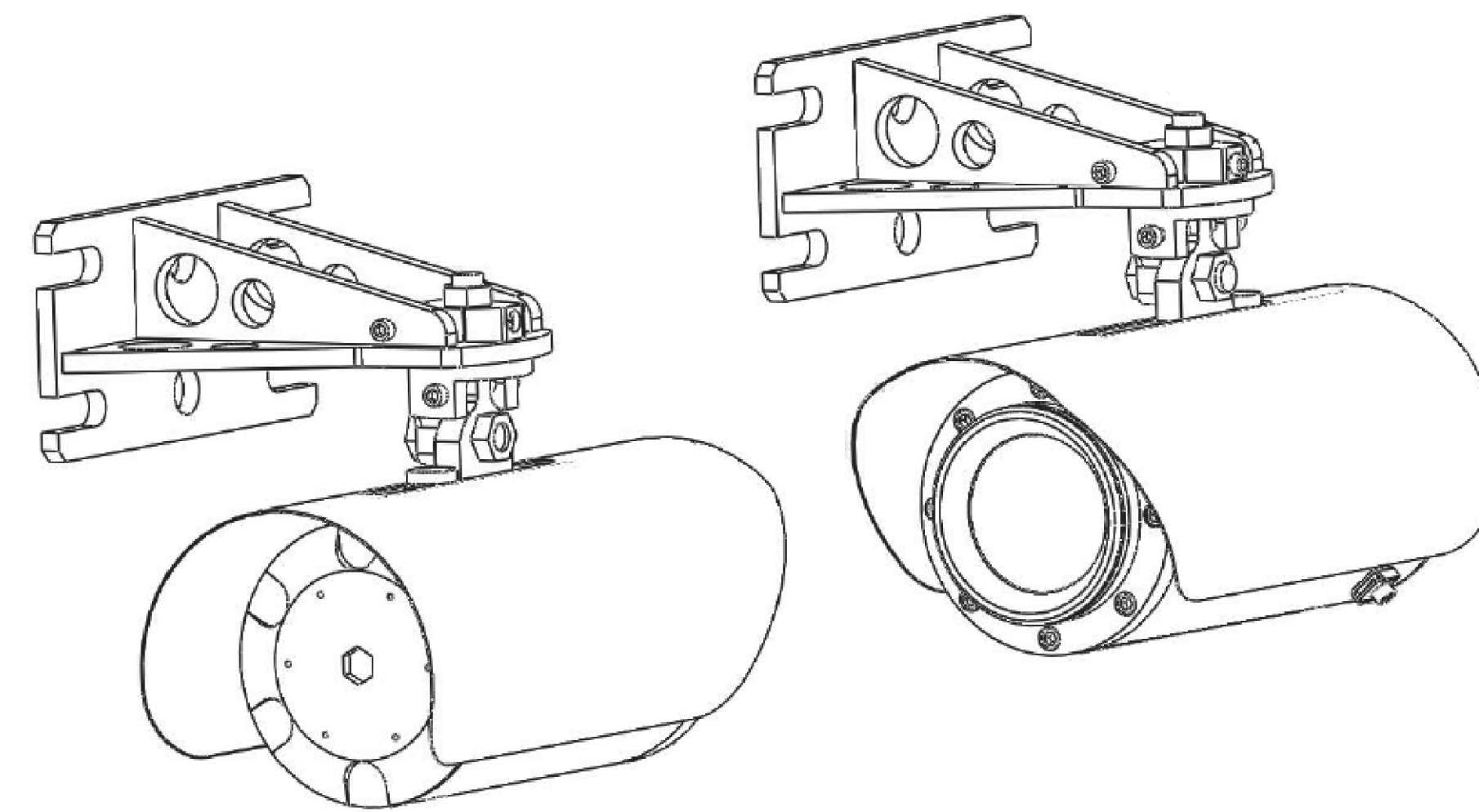
CADD REF: Small Point Controller - Stahlin 20x14
SHEET SIZE
D SK3015-1071

1:3
SHEET
5 OF 6

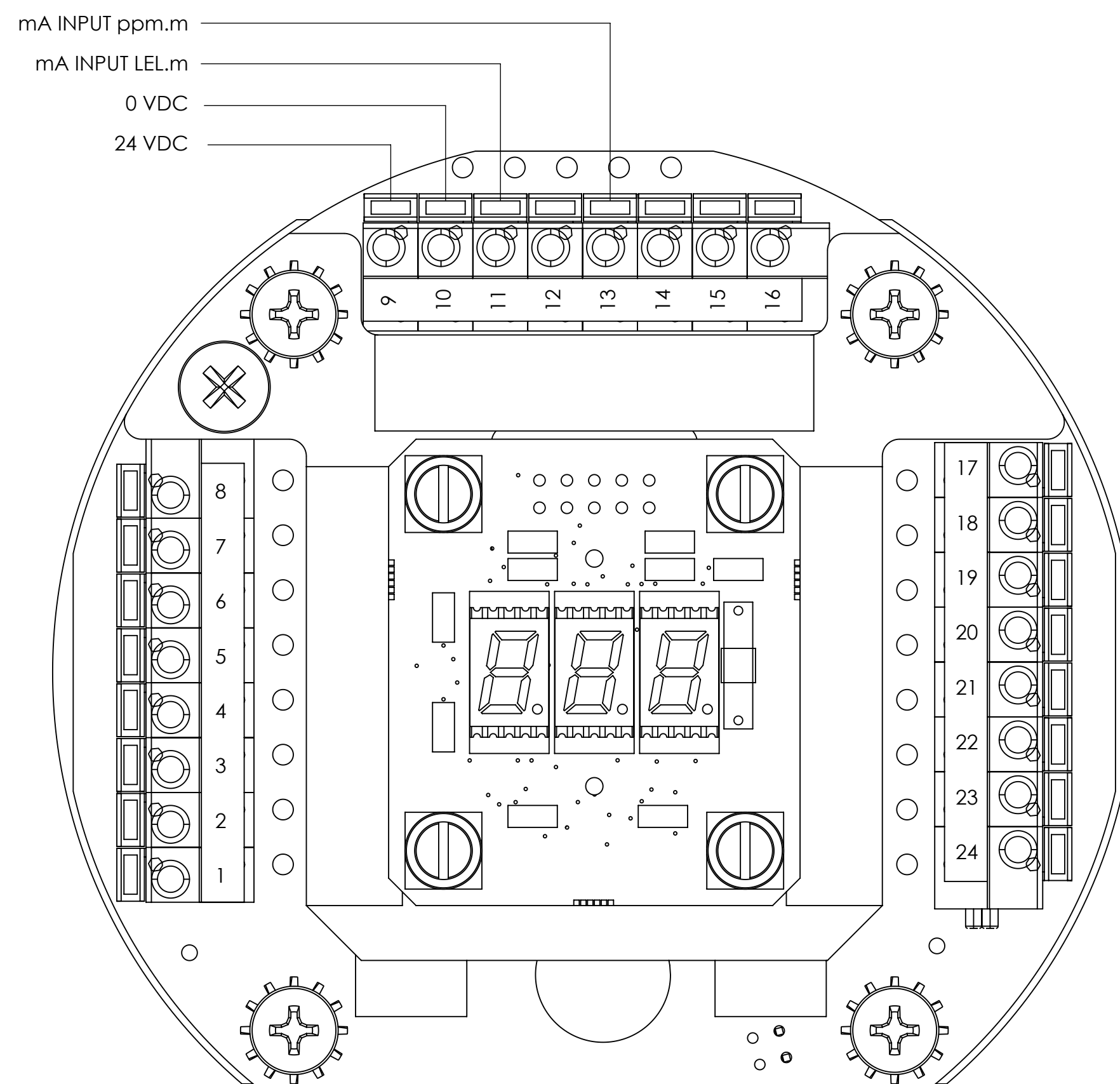
SENTRY io Analog Terminals



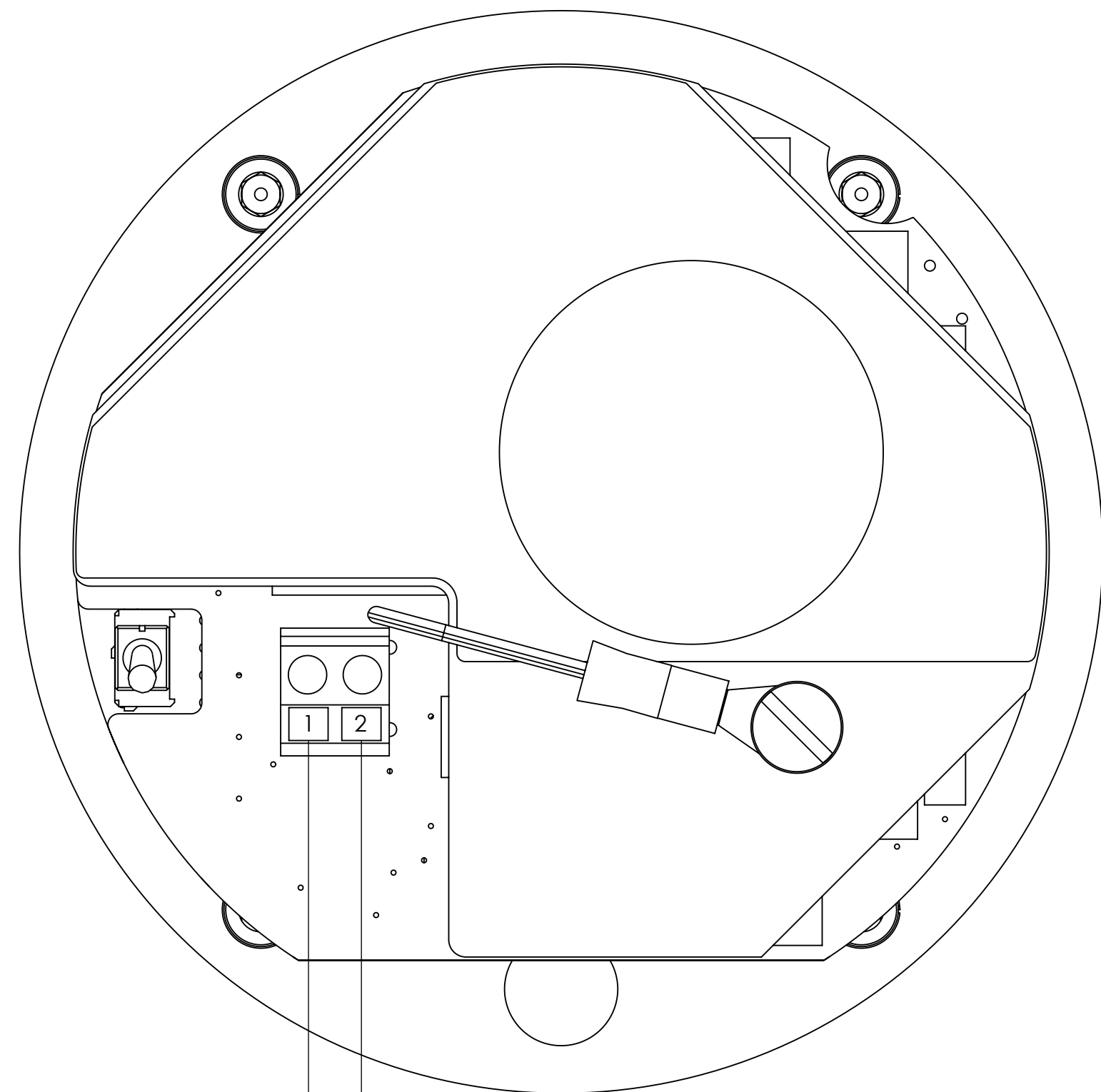
IR5500



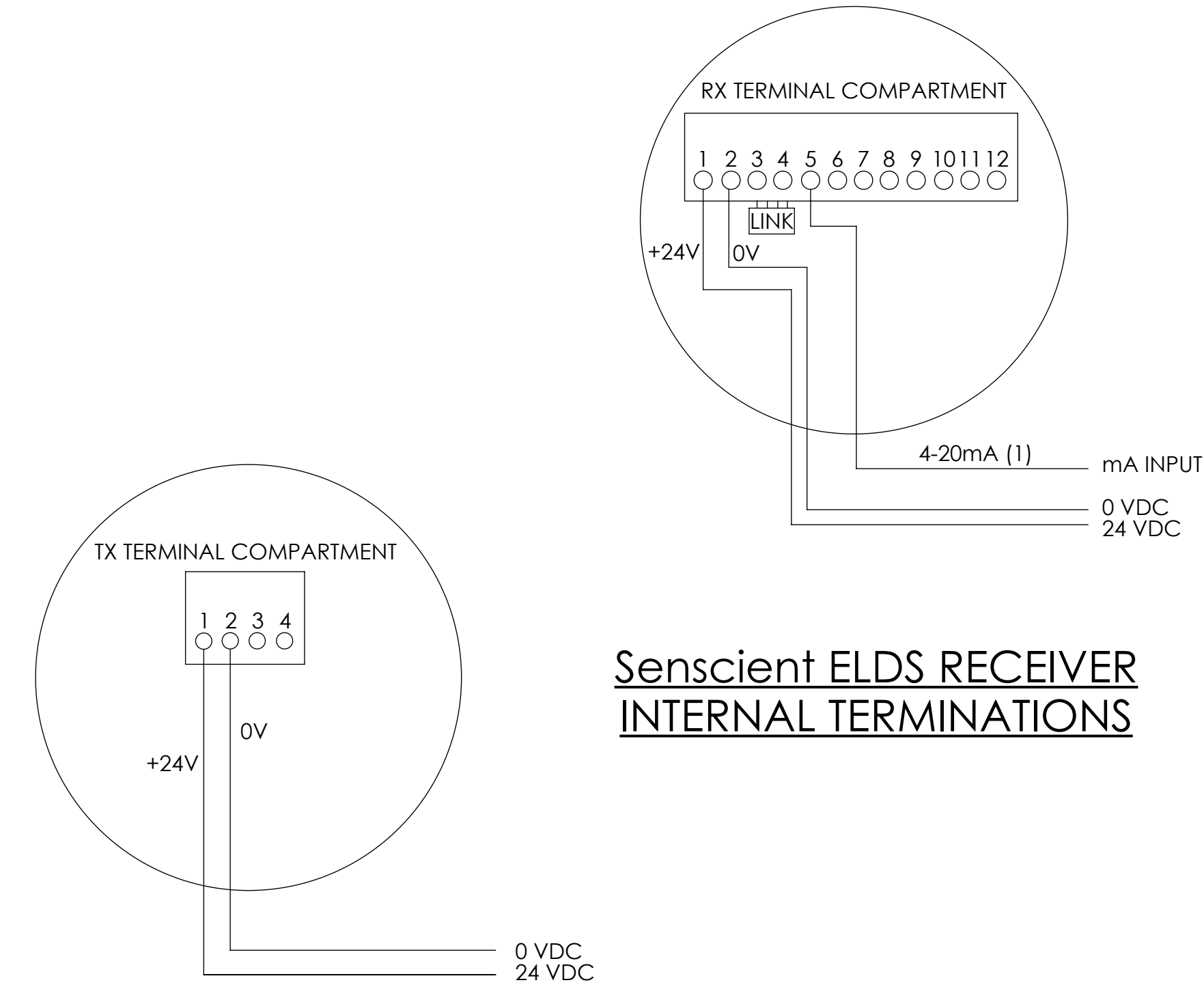
Senscient ELDS



IR5500 RECEIVER
INTERNAL
TERMINATIONS



IR5500 SOURCE
INTERNAL
TERMINATIONS



Senscient ELDS RECEIVER
INTERNAL TERMINATIONS

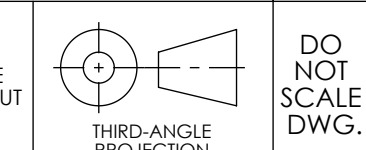
Senscient ELDS TRANSMITTER
INTERNAL TERMINATIONS

REVISIONS

LIFECYCLE STATE: Production REVISION: 1



THIS DRAWING IS THE PROPERTY OF MSA - THE SAFETY COMPANY AND IS MADE AVAILABLE TO YOU IN CONFIDENCE AND SUBJECT TO THE FOLLOWING: NO PERMISSION IS GRANTED TO PUBLISH, USE, REPRODUCE, TRANSMIT OR DISCLOSE THIS DRAWING, OR ANY INFORMATION CONTAINED THEREIN TO OTHERS WITHOUT THE PRIOR WRITTEN CONSENT OF MSA - THE SAFETY COMPANY EXCEPT FOR THE MANUFACTURE OF ARTICLES FOR MSA - THE SAFETY COMPANY.



MSA STANDARD SHOP PRACTICES APPLY
CODE SYMBOLS
CRITICAL Δ
MAJOR A Δ
MAJOR B Δ
100% INSPECTION Δ
MINOR (NO MARK)

JOB NO.
DRAWN BY: WJE DATE: 5-13-2021
CHECKED BY: C. STARTA 08/08/22
PROJECT ENGR.: S. DENNINGER 05/13/21
QUALITY ASSURANCE: V. VERNACCHIO 08/01/22
MANUFACTURING: J. SMOCHEK 08/08/22

APPROVAL AGENCY CODE: NIOSH ATTR. DOC.:

INSTALLATION OUTLINE,
SENTRY io

CADD REF: Small Point Controller - Stahlin 20x14 8/20/22 1:3

SHEET SIZE: D

SK3015-1071

SHEET 6 OF 6